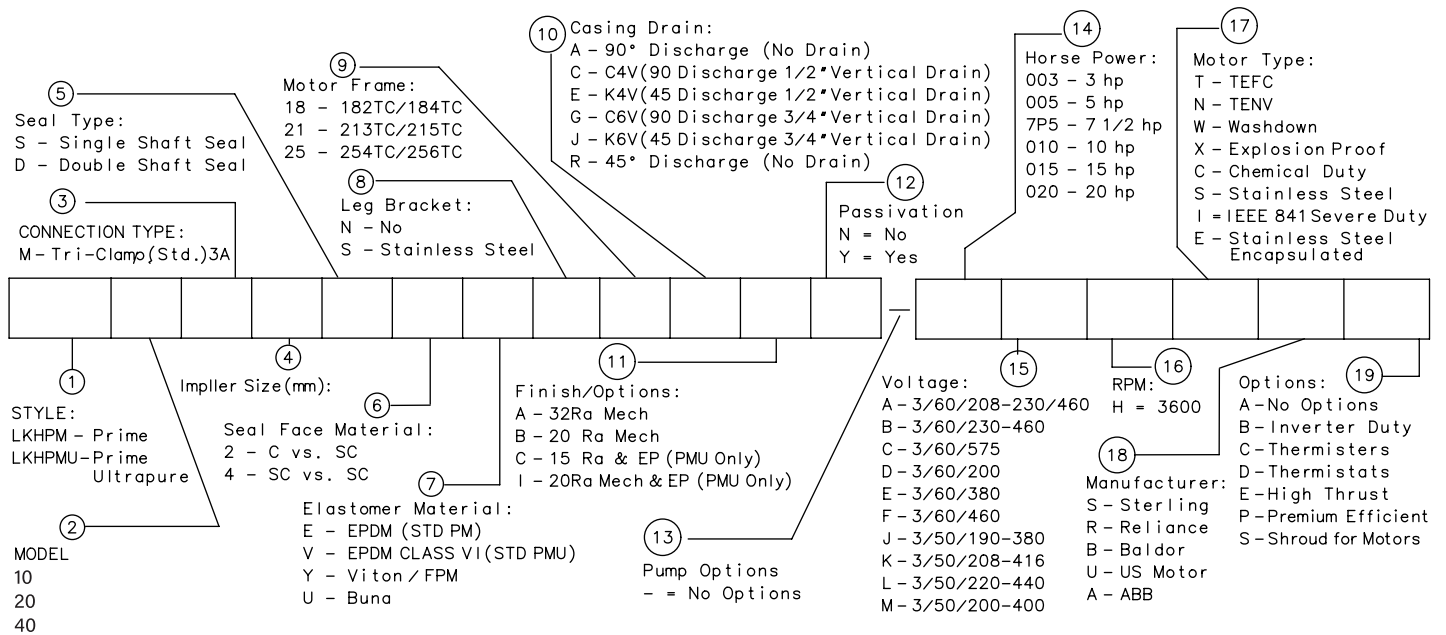


Consider the information below when selecting a LKH pump.

Note: The configuration shown below will not reflect the actual model number shown on the Customer Order Acknowledgement.



NOTE:

ALL MOTORS WILL HAVE LOCKED BEARINGS TO LIMIT AXIAL SHAFT MOVEMENT TO .007" OR LESS,