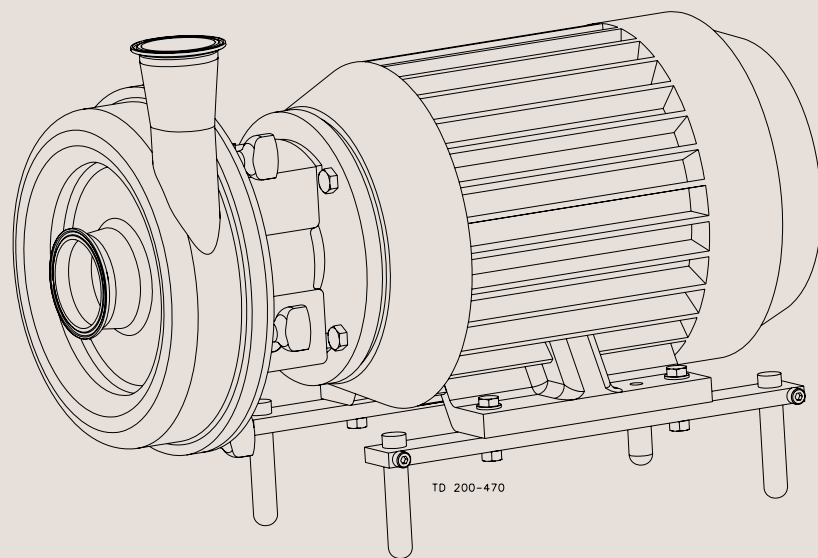




Spare Parts

LKH Evap



ESE01862-ENUS4 2017-02

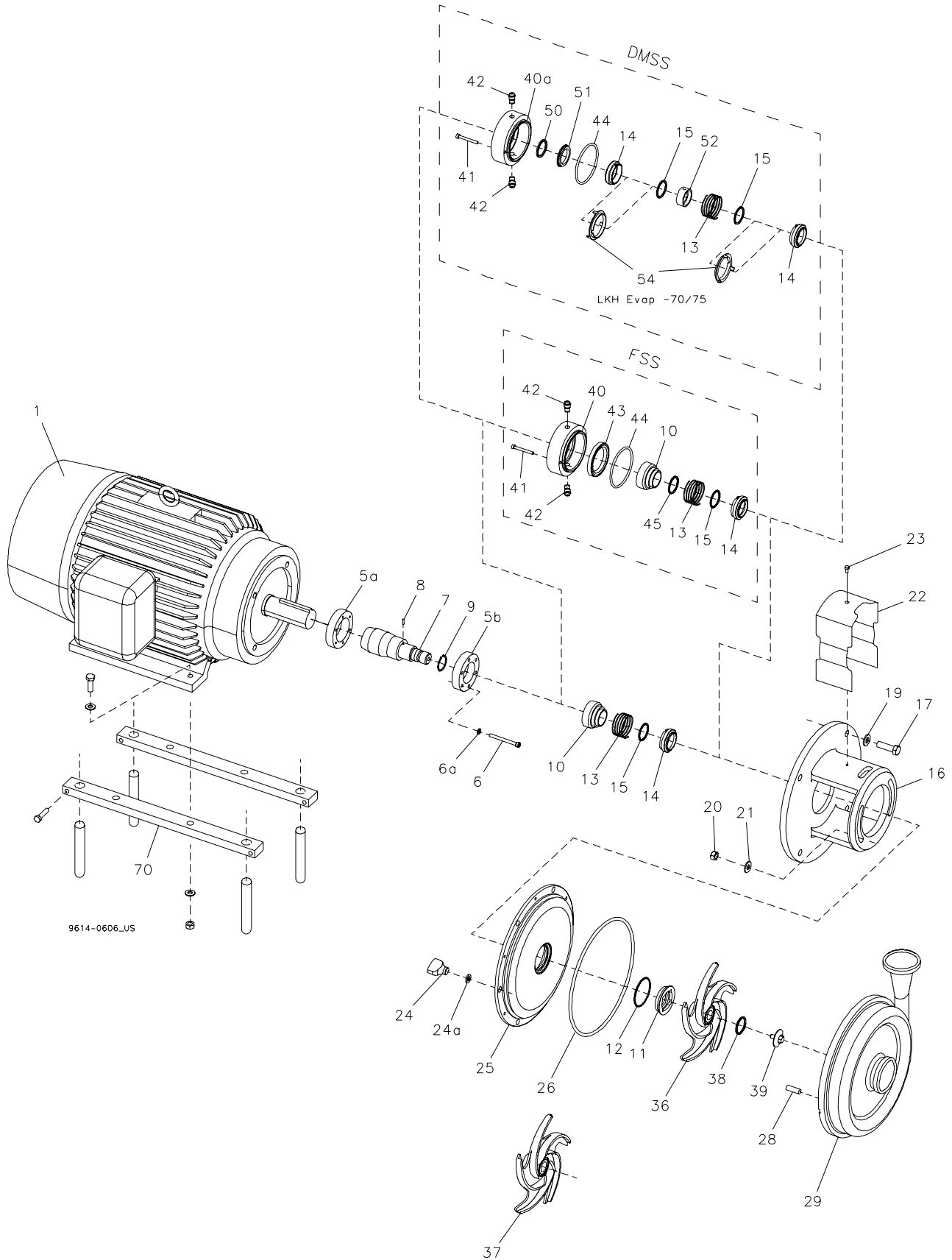
Original manual

Table of contents

The information herein is correct at the time of issue but may be subject to change without prior notice

1. LKH Evap - Wet end	4
2. LKH Evap - Motor dependent parts	6
3. LKH Evap - Shaft seal	8

DMSS = Double Mechanical Shaft Seal. FSS = Flushed Shaft Seal



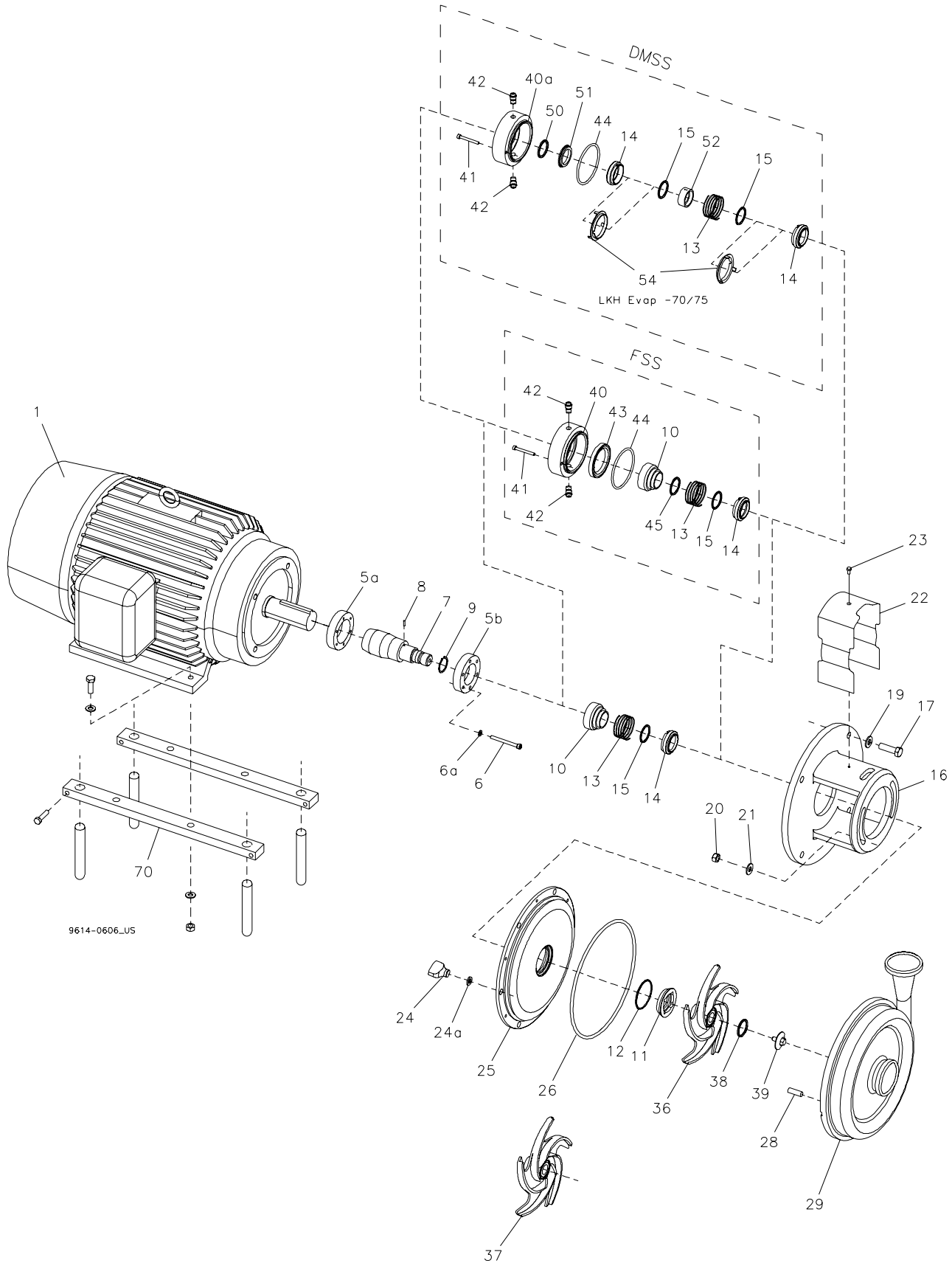
LKH Evap - Wet end

Product wetted surfaces Ra ≤ 32

Pos	Qty	Denomination	LKH Evap-10 1-15 Hp In-/outlet 2.5-2"	LKH Evap-15 2-15 Hp In-/outlet 3-3"	LKH Evap-15 2-15 Hp In-/outlet 4-3"	LKH Evap-20 2-20 Hp In-/outlet 2.5-2"	LKH Evap-25 2-30 Hp In-/outlet 3-2.5"	
29	1	Pump casing, Tri-clamp	9612128812	9612129337	9612129332	9612128921	9612129123	
Pos	Qty	Denomination	LKH Evap-35 3-30 Hp In-/outlet 2.5-2"	LKH Evap-40 3-30 Hp In-/outlet 3-2"	LKH Evap-45 3-30 Hp In-/outlet 3-3"	LKH Evap-45 3-30 Hp In-/outlet 4-3"	LKH Evap-50 3-40 Hp In-/outlet 3-3"	
29	1	Pump casing, Tri-clamp	9612128923	9612129121	9612129338	9612129334	9612129336	
Pos	Qty	Denomination	LKH Evap-50 3-40 Hp In-/outlet 4-3"	LKH Evap-60 7.5-50 Hp In-/outlet 3-4"	LKH Evap-60 7.5-50 Hp In-/outlet 4-4"	LKH Evap-70 15-100 Hp In-/outlet 4-3"	LKH Evap-75 15-50 Hp In-/outlet 4-4" 1800 rpm	
29	1	Pump casing, Tri-clamp	9612129330	9612355435	9612355418	9612514729	9612514730	
Pos	Qty	Denomination	LKH Evap-10 1-15 Hp In-/outlet 2.5-2"	LKH Evap-15 2-15 Hp In-/outlet 4-3"	LKH Evap-20 2-20 Hp In-/outlet 2.5-2"	LKH Evap-25 2-30 Hp In-/outlet 3-2.5"	LKH Evap-35 3-30 Hp In-/outlet 2.5-2"	LKH Evap-40 3-30 Hp In-/outlet 3-2"
20	2	Nut	9611990353	9611990353	9611990353	9611990353	9611990353	9611990353
21	2	Washer	9611992559	9611992559	9611992559	9611992559	9611992559	9611992559
24	6	Cap nut	9611992592	9611992592	9611992592	9611992593	9611992593	9611992593
24a	6	Washer	9611991888	9611991888	9611991888	9611991887	9611991887	9611991887
25	1	Back plate, polished Ra ≤ 32	9612138420	9612138420	9612138421	9612138424	9612138424	9612138422
26	□♦○★▲	1 O-ring, EPDM, (standard) ...	9611992137	9611992137	9611992141	9611992983	9611992983	9611992171
		1 O-ring, NBR	9611992139	9611992139	9611992143	9611992984	9611992984	9611992173
		1 O-ring, FPM	9611992138	9611992138	9611992142	9611992985	9611992985	9611992172
		1 O-ring, FEP	9611992140	9611992140	9611992144	9611992986	9611992986	9611992174
28	6	Bolt	9611992168	9611992168	9611992168	9611992169	9611992169	9611992169
36	1	Impeller, polished Ra ≤ 32 ...	9612131228	9612431413	9612131418	9612425216	9612434116	9612131816
37	1	Impeller, ClearFlow, polished Ra ≤ 32	9613482002	9613482102	9614053202	9614053302	9613482202	9613499502
38	□♦○★▲	1 O-ring, EPDM, (standard) ...	9611992145	9611992145	9611992145	9611992145	9611992145	9611992145
		1 O-ring, NBR	9611992147	9611992147	9611992147	9611992147	9611992147	9611992147
		1 O-ring, FPM	9611992146	9611992146	9611992146	9611992146	9611992146	9611992146
		1 O-ring, FEP	9611992148	9611992148	9611992148	9611992148	9611992148	9611992148
39	1	Impeller screw, polished Ra ≤ 32	9612139603	9612139603	9612139603	9612139603	9612139603	9612139603
Pos	Qty	Denomination	LKH Evap-45 3-30 Hp In-/outlet 4-3"	LKH Evap-50 3-40 Hp In-/outlet 4-3"	LKH Evap-60 7.5-50 Hp In-/outlet 4-4"	LKH Evap-70 15-100 Hp In-/outlet 4-3"	LKH Evap-75 15-50 Hp In-/outlet 4-4" 1800 rpm	
20	2	Nut	9611990353	9611990353	9611990353			
21	2	Washer	9611992559	9611992559	9611992559			
20	4	Nut				9611990353	9611990353	
21	4	Washer				9611992559	9611992559	
24	6	Cap nut	9611992593	9611992593	9611992593			
24a	6	Washer	9611991887	9611991887	9611991887			
24	8	Wing nut				9611416892	9611416892	
24a	8	Washer				9611991887	9611991887	
25	1	Back plate, polished Ra ≤ 32	9612138424	9612138422	9612138422	9612514607	9612514617	
26	1	O-ring, EPDM, (standard)	9611992983	9611992171	9611992171	9611993211	9611994893	
		1 O-ring, NBR	9611992984	9611992173	9611992173	9611993212	9611994894	
		1 O-ring, FPM	9611992985	9611992172	9611992172	9611993213	9611994895	
		1 O-ring, FEP	9611992986	9611992174	9611992174	9611993214		
28	6	Bolt	9611992169	9611992169	9611992169			
		8 Bolt				9611992169	9611992169	
36	1	Impeller, polished Ra ≤ 32	9612363013	9612132015	9612128315	9612499403	9613456301	
37	1	Impeller, ClearFlow, polished Ra ≤ 32	9613482302	9613482402	9613482502	9614053402	9613499401	
38	1	O-ring, EPDM, (standard)	9611992145	9611992145	9611992145	9611993215	9611993215	
		1 O-ring, NBR	9611992147	9611992147	9611992147	9611993216	9611993216	
		1 O-ring, FPM	9611992146	9611992146	9611992146	9611993217	9611993217	
		1 O-ring, FEP	9611992148	9611992148	9611992148	9611993218		
39	1	Impeller screw, polished Ra ≤ 32	9612139603	9612139603	9612139603	9612927102	9612927105	

LKH Evap - Motor dependent parts

DMSS = Double Mechanical Shaft Seal. FSS = Flushed Shaft Seal



LKH Evap - Motor dependent parts

Pos	Qty	Denomination	1 Hp	1.5 Hp	2 Hp	3 Hp	5 Hp
1	1	Motor	143TC (1800 rpm)	143TC	145TC	182TC	184TC

Pos	Qty	Denomination	7.5 Hp	10 Hp	15 Hp	20 Hp	25 Hp
1	1	Motor	213TC	215TC	254TC	256TC	284TSC

Pos	Qty	Denomination	30 Hp	40 Hp	50 Hp	60 Hp	70 Hp	100 Hp
1	1	Motor	286TSC	324TSC	326TSC	364TSC	365TSC	405TSC

Pos	Qty	Denomination	1-2 Hp	3-5 Hp	7.5-10 Hp	15-20 Hp	25-30 Hp	40-50 Hp
-----	-----	--------------	--------	--------	-----------	----------	----------	----------

LKH Evap -10/60

5a	1	Compression ring with thread	9612133601	9612133602	9612133606	9612133603	9612133603	9612133604
5b	1	Compression ring without thread	9612133701	9612133702	9612133706	9612133703	9612133703	9612133704
6	6	Screw	9611993196	9611993196	9611993197	9611993198	9611993198	9611993198
6a	6	Washer	9611993199	9611993199	9611993199	9611993199	9611993199	9611993199
7	1	Shaft and pin, (pos.8)		9612133102	9612133202	9612133302	9612133302	9612133402
	1	Shaft, pin (pos.8) and retaining (pos.9)	9612133002					
8	1	Connex pin	9611990622	9611990622	9611990622	9611990622	9611990622	9611990622
9	1	Retaining ring	9611992307					
16	1	Adaptor	9612342801	9612342901	9612343001	9612343101	9612343102	9612342602
17	4	Screw for adaptor	9611994411	9611994412	9611994413	9611994414	9611994414	9611994415
19	4	Washer for adaptor	9611994416	9611994417	9611994417	9611994417	9611994417	9611994418
22	1	Safety guard set	9614077413	9614077405	9614077408	9614077409	9614077409	9614077409
23	1	Screw for safety guard	9611993239	9611993239	9611993239	9611993239	9611993239	9611993239

Legs

70	1	Leg bracket	481656	481661	481663	481665	481669	9634056195
----	---	-------------------	--------	--------	--------	--------	--------	------------

Pos	Qty	Denomination	15-20 Hp	25-30 Hp	40-50 Hp	60-75 Hp	100 Hp
-----	-----	--------------	----------	----------	----------	----------	--------

LKH Evap -70/75

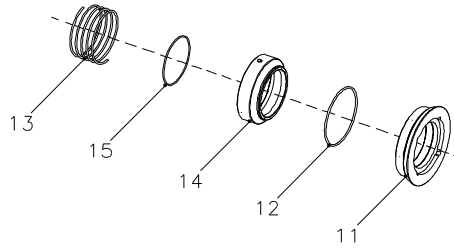
5a	1	Compression ring with thread	9612133603	9612133603	9612133604	9612133604	9612133607
5b	1	Compression ring without thread	9612133703	9612133703	9612133704	9612133704	9612133707
6	6	Screw	9611993198	9611993198	9611993198	9611993198	9611993266
6a	6	Washer	9611993199	9611993199	9611993199	9611993199	9611993199
7	1	Shaft and pin (pos.8)	9612512403	9612512403	9612512503	9612512503	9612554003
8	1	Connex pin	9611990622	9611990622	9611990622	9611990622	9611990622
16	1	Adaptor	9612512001	9612512002	9612511902	96125119-02	9612511902
17	4	Screw for adaptor	9611994414	9611994414	9611994415	9611994415	9611994415
19	4	Washer for adaptor	9611994417	9611994417	9611994418	9611994418	9611994418
22	1	Safety guard set	9614077410	9614077410	9614077410	9614077410	9614077410
23	1	Screw for safety guard	9611993239	9611993239	9611993239	9611993239	9611993239

Legs

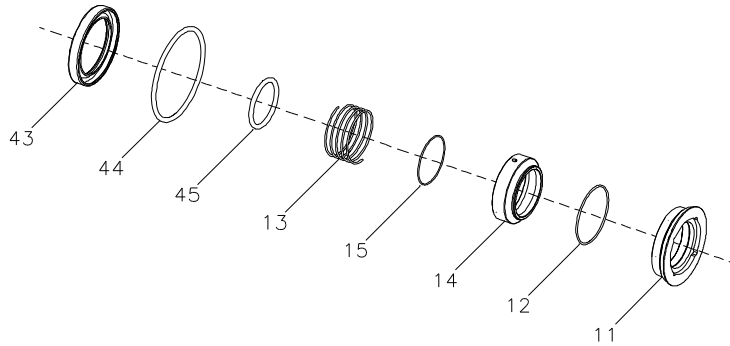
70	1	Leg bracket	481665	481669	9634056195	9634056196	9634056196
----	---	-------------------	--------	--------	------------	------------	------------

DMSS = Double Mechanical Shaft Seal. FSS = Flushed Shaft Seal

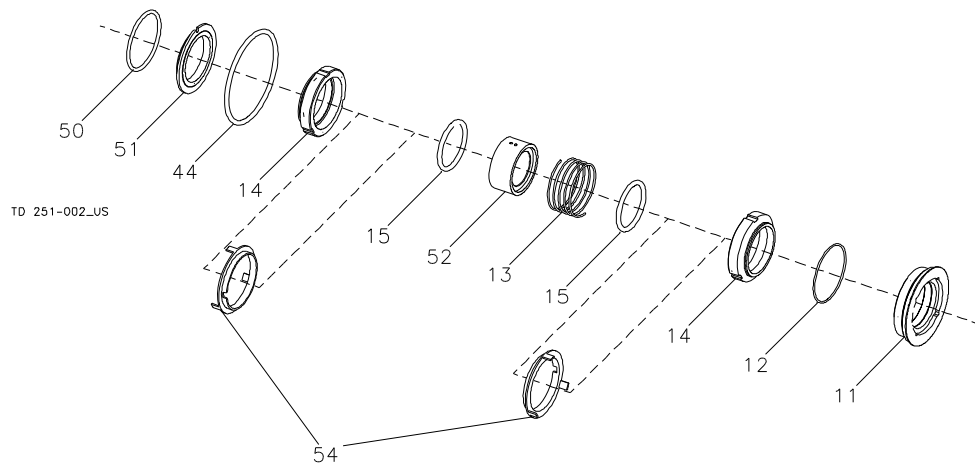
Single Shaft Seal



Flushed Shaft Seal



Mechanical Shaft Seal



TD 251-002_US

LKH Evap -70/75

LKH Evap - Shaft seal

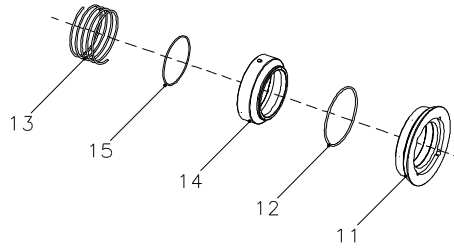
Pos	Qty	Denomination	LKH Evap 10-20	LKH Evap 25-60	LKH Evap 70-75
Accessories					
	1	Tool complete	9612137101	9612903701	9612903701
Parts for Flushed Shaft Seal					
40	1	Seal housing (period -12. 2014)	9612133901	9612133901	9612514401
	1	Seal housing (period 12. 2014-)	9612133903	9612133903	9612514403
41	2	Screw for seal housing	9611990203	9611990203	9611993232
42	2	Fittings (period -04 2014)	9611992323	9611992323	9611992323
	2	Tube (period 04 2014-)	9612358916	9612358918	9612358917
Parts for Double Mechanical Shaft Seal					
40a	1	Seal housing (period -12. 2014)	9612133902	9612133902	9612591401
	1	Seal housing (period 12. 2014-)	9612133904	9612133904	9612591402
41	2	Screw for seal housing	9611990203	9611990203	9611993766
42	2	Fittings (period -12. 2014)	9611992323	9611992323	9611992323
	2	Tube (period 12. 2014-)	9612358916	9612358918	9612358917
Drive ring					
10	1	Drive ring, Single shaft seal steel	9614206001	9614206001	9612514901
	1	Drive ring, Flushed shaft seal	9612139701	9612139701	

LKH Evap 10-60

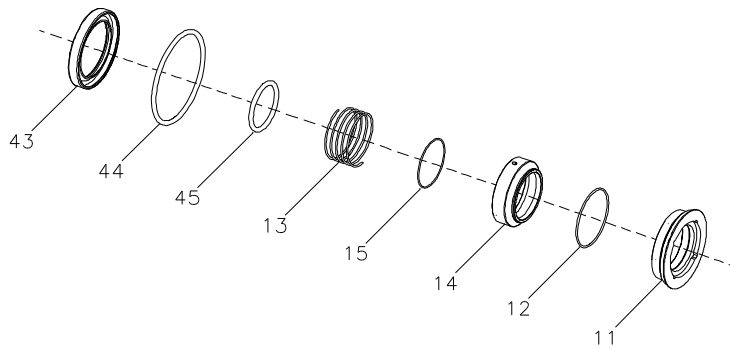
Pos	Qty	Denomination	EPDM	NBR	FPM	FEP
Single shaft seal (standard)						
□		Complete shaft seal C/SiC	9612129609	9612129610	9612129611	9612129612
11	1	Stationary seal ring, SiC				
12	1	O-ring				
13	1	Spring				
14	1	Rotating seal ring, carbon				
15	1	O-ring				
Alternatives for single shaft seal						
♦		Complete shaft seal SiC/SiC	9612129605	9612-129606	9612129607	9612129608
11	1	Stationary seal ring, SiC				
12	1	O-ring				
13	1	Spring				
14	1	Rotating seal ring, SiC				
15	1	O-ring				
Flushed shaft seal (standard)						
○		Complete shaft seal C/SiC	9612129625	9612129626	96121296-27	9612129628
11	1	Stationary seal ring, SiC				
12	1	O-ring				
13	1	Spring				
14	1	Rotating seal ring, carbon				
15	1	O-ring				
43	1	Lip seal				
44	1	O-ring for seal housing EPDM				
45	1	O-ring for drive ring				
Alternatives for flushed shaft seal						
*		Complete shaft seal SiC/SiC	9612129629	9612129630	9612129631	9612129632
11	1	Stationary seal ring, SiC				
12	1	O-ring				
13	1	Spring				
14	1	Rotating seal ring, SiC				
15	1	O-ring				
43	1	Lip seal				
44	1	O-ring for seal housing EPDM				
45	1	O-ring for drive ring				
Double mechanical shaft seal (standard)						
△		Complete seal C/SiC	9612129613	9612129614	9612129615	9612129616
11	1	Stationary seal ring, SiC				
12	1	O-ring				
13	1	Spring				
14	2	Rotating seal ring, carbon				
15	2	O-ring				
44	1	O-ring for seal housing EPDM				
50	1	O-ring, EPDM				
51	1	Sec. stationary seal ring				
52	1	Drive ring				

DMSS = Double Mechanical Shaft Seal. FSS = Flushed Shaft Seal

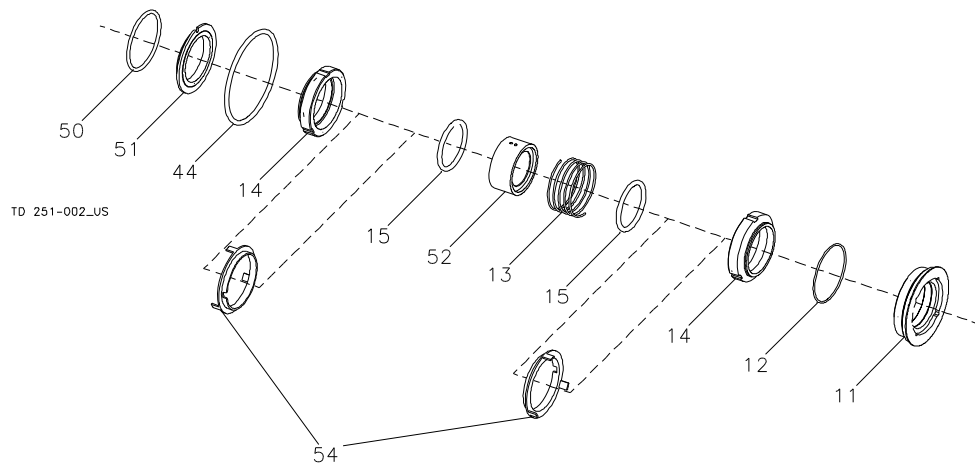
Single Shaft Seal



Flushed Shaft Seal



Mechanical Shaft Seal



TO 251-002_US

LKH Evap -70/75

LKH Evap - Shaft seal

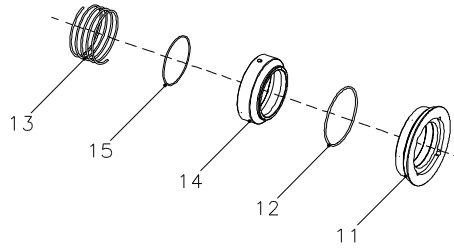
Pos	Qty	Denomination	EPDM	NBR	FPM	FEP
Alternatives for Double Mechanical shaft seal						
	▲	Complete shaft seal SiC/SiC	9612129617	9612129618	9612129619	9612129620
11	1	Stationary seal ring, SiC				
12	1	O-ring				
13	1	Spring				
14	2	Rotating seal ring, SiC				
15	2	O-ring				
44	1	O-ring for seal housing EPDM				
50	1	O-ring, EPDM				
51	1	Sec. stationary seal ring				
52	1	Drive ring				

LKH Evap 70-75

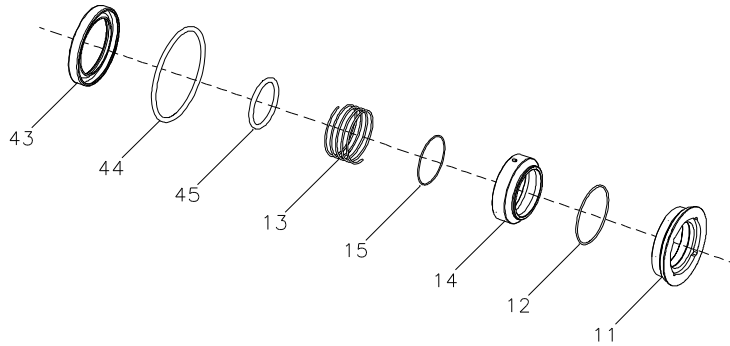
Pos	Qty	Denomination	EPDM	NBR	FPM	FEP
Single shaft seal (standard)						
	□	Complete shaft seal C/SiC	9612515101	9612515102	9612515103	9612515104
11	1	Stationary seal ring, SiC				
12	1	O-ring				
13	1	Spring				
14	1	Rotating seal ring, carbon				
15	1	O-ring				
Alternatives for single shaft seal						
	◆	Complete shaft seal SiC/SiC	9612515105	9612515106	9612515107	9612515108
11	1	Stationary seal ring, SiC				
12	1	O-ring				
13	1	Spring				
14	1	Rotating seal ring, SiC				
15	1	O-ring				
Flushed shaft seal (standard)						
	○	Complete shaft seal C/SiC	9612515109	9612515110	9612515111	9612515112
11	1	Stationary seal ring, SiC				
12	1	O-ring				
13	1	Spring				
14	1	Rotating seal ring, carbon				
15	1	O-ring				
43	1	Lip seal				
44	1	O-ring for seal housing EPDM				
45	1	O-ring for drive ring				
Alternatives for flushed shaft seal						
	*	Complete shaft seal SiC/SiC	9612515113	9612515114	9612515115	9612515116
11	1	Stationary seal ring, SiC				
12	1	O-ring				
13	1	Spring				
14	1	Rotating seal ring, SiC				
15	1	O-ring				
43	1	Lip seal				
44	1	O-ring for seal housing EPDM				
45	1	O-ring for drive ring				
Double mechanical shaft seal (standard)						
	△	Complete seal C/SiC	9612-515117	9612515118	9612515119	9612515120
11	1	Stationary seal ring, SiC				
12	1	O-ring				
13	1	Spring				
14	2	Rotating seal ring, carbon				
15	2	O-ring				
44	1	O-ring for seal housing EPDM				
50	1	O-ring, EPDM				
51	1	Sec. stationary seal ring				
52	1	Drive ring				
54	2	Cup				

DMSS = Double Mechanical Shaft Seal. FSS = Flushed Shaft Seal

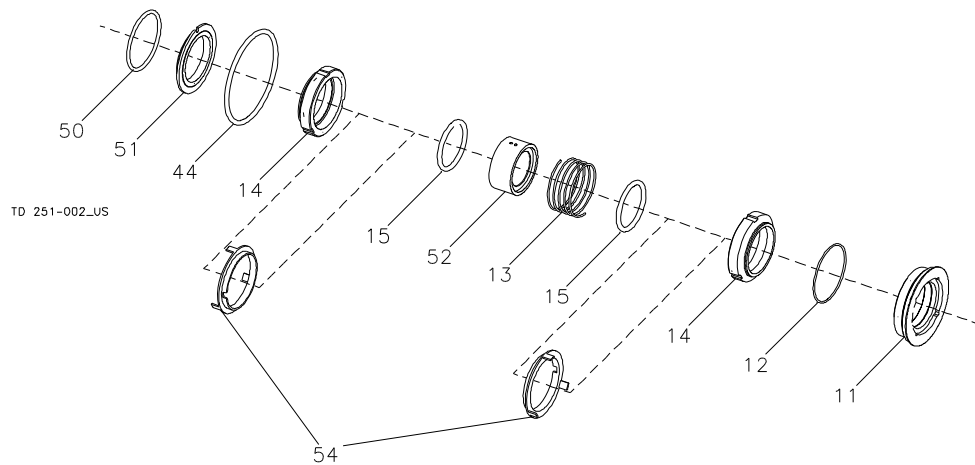
Single Shaft Seal



Flushed Shaft Seal



Mechanical Shaft Seal



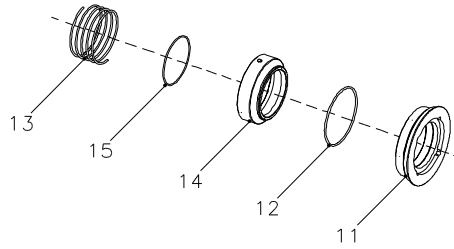
LKH Evap -70/75

LKH Evap - Shaft seal

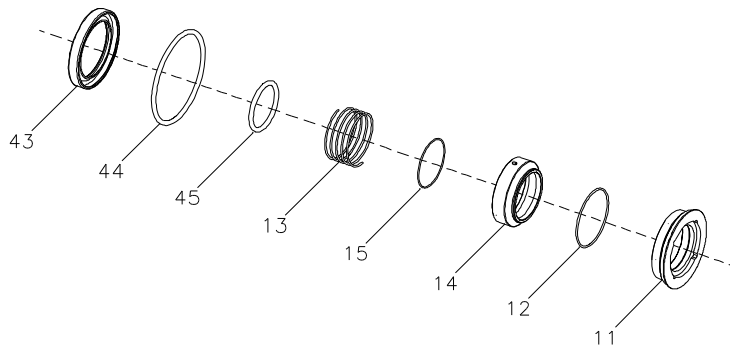
Pos	Qty	Denomination	EPDM	NBR	FPM	FEP
Alternatives for Double Mechanical shaft seal						
▲		Complete shaft seal SiC/SiC	9612515121	9612515122	9612515123	9612515124
11	1	Stationary seal ring, SiC				
12	1	O-ring				
13	1	Spring				
14	2	Rotating seal ring, SiC				
15	2	O-ring				
44	1	O-ring for seal housing EPDM				
50	1	O-ring, EPDM				
51	1	Sec. stationary seal ring				
52	1	Drive ring				
54	2	Cup				
<hr/>						
			EPDM	NBR	FPM	FEP
Service kit for single shaft seal C/SiC						
□		Service kit, C/SiC (LKH Evap-10/15)	9611922114	9611922115	9611922116	9611922117
□		Service kit, C/SiC (LKH Evap-20)	9611922122	9611922123	9611922124	9611922125
□		Service kit, C/SiC (LKH Evap-25/35/45)	9611922182	9611922183	9611922184	9611922185
□		Service kit, C/SiC (LKH Evap-40/50/60)	9611922130	9611922131	9611922132	9611922133
□		Service kit, C/SiC (LKH Evap-70)	9611922238	9611922239	9611922240	9611922241
□		Service kit, C/SiC (LKH Evap-75)	9611922976	9611922977	9611922978	
Service kit for single shaft seal SiC/SiC						
◆		Service kit, SiC/SiC (LKH Evap-10/15)	9611922550	9611922551	9611922552	9611922553
◆		Service kit, SiC/SiC (LKH Evap-20)	9611922574	9611922575	9611922576	9611922577
◆		Service kit, SiC/SiC (LKH Evap-25/35/45)	9611922598	9611922599	9611922600	9611922601
◆		Service kit, SiC/SiC (LKH Evap-40/50/60)	9611922623	9611922624	9611922625	9611922626
◆		Service kit, SiC/SiC (LKH Evap-70)	9611922643	9611922644	9611922645	9611922646
◆		Service kit, SiC/SiC (LKH Evap-75)	9611922985	9611922986	9611922987	
Service kit for flushed shaft seal C/SiC						
○		Service kit, C/SiC (LKH Evap-10/15)	9611922118	9611922119	9611922120	9611922121
○		Service kit, C/SiC (LKH Evap-20)	9611922126	9611922127	9611922128	9611922129
○		Service kit, C/SiC (LKH Evap-25/35/45)	9611922190	9611922191	9611922192	9611922193
○		Service kit, C/SiC (LKH Evap-40/50/60)	9611922134	9611922135	9611922136	9611922137
○		Service kit, C/SiC (LKH Evap-70)	9611922242	9611922243	9611922244	961192-2245
○		Service kit, C/SiC (LKH Evap-75)	9611922979	9611922980	9611922981	
Service kit for flushed shaft seal SiC/SiC						
*		Service kit, SiC/SiC (LKH Evap-10/15)	9611922558	9611922559	9611922560	9611922561
*		Service kit, SiC/SiC (LKH Evap-20)	9611922582	9611922583	9611922584	9611922585
*		Service kit, SiC/SiC (LKH Evap-25/35/45)	9611922606	9611922607	9611922608	9611922609
*		Service kit, SiC/SiC (LKH Evap-40/50/60)	9611922631	9611922632	9611922633	9611922634
*		Service kit, SiC/SiC (LKH Evap-70)	9611922647	9611922648	9611922649	9611922650
*		Service kit, SiC/SiC (LKH Evap-75)	9611922988	9611922989	9611922990	
Service kit for double mechanical shaft seal C/SiC						
△		Service kit, C/SiC (LKH Evap-10/15)	9611922210	9611922211	9611922212	9611922213
△		Service kit, C/SiC (LKH Evap-20)	9611922218	9611922219	9611922220	9611922221
△		Service kit, C/SiC (LKH Evap-25/35/45)	9611922226	9611922227	9611922228	9611922229
△		Service kit, C/SiC (LKH Evap-40/50/60)	9611922234	961192-2235	9611922236	9611922237
△		Service kit, C/SiC (LKH Evap-70)	9611922416	9611922417	9611922418	9611922419
△		Service kit, C/SiC (LKH Evap-75)	9611922982	9611922983	9611922984	

DMSS = Double Mechanical Shaft Seal. FSS = Flushed Shaft Seal

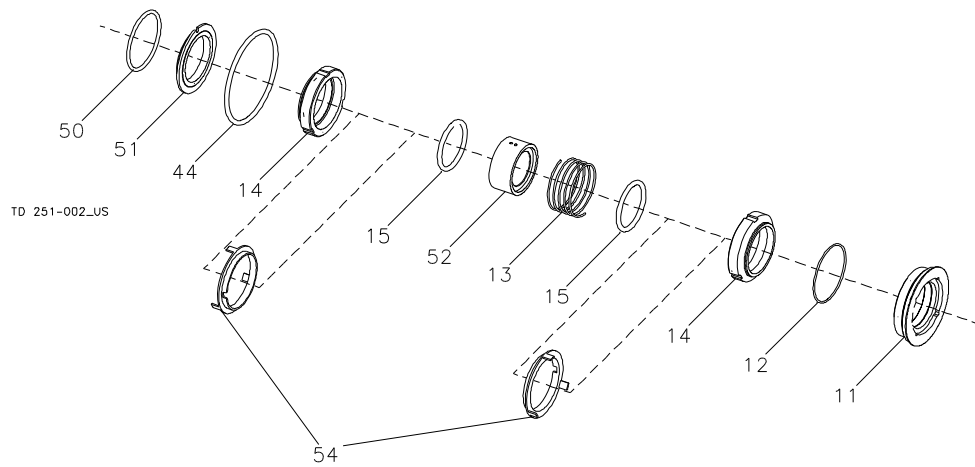
Single Shaft Seal



Flushed Shaft Seal



Mechanical Shaft Seal



LKH Evap -70/75

LKH Evap - Shaft seal

		EPDM	NBR	FPM	FEP
Service kit for double mechanical shaft seal SiC/SiC					
▲	Service kit, SiC/SiC (LKH Evap-10/15)	9611922566	9611922567	9611922568	9611922569
▲	Service kit, SiC/SiC (LKH Evap-20)	9611922590	9611922591	9611922592	9611922593
▲	Service kit, SiC/SiC (LKH Evap-25/35/45)	9611922614	9611922615	9611922616	9611922617
▲	Service kit, SiC/SiC (LKH Evap-40/50/60)	9611922639	9611922640	9611922641	9611922642
▲	Service kit, SiC/SiC (LKH Evap-70)	9611922651	9611922652	9611922653	9611922654
▲	Service kit, SiC/SiC (LKH Evap-75)	9611922991	9611922992	9611922993	

Parts marked with ◻♦○★▲ are included in the service kits
 Recommended spare parts: Service kits.

Shaft seal: See end of spare part

Conversion single to flushed shaft seal : Please order flushed service kit + pos. 40 + 41 + 42 (LKH Evap10-60 + pos. 10)

Conversion single or Flushed to double mechanical shaft seal : Please order Double mechanical service kit + pos. 40a + 41 + 42
 (900590/6)

How to contact Alfa Laval

Contact details for all countries are continually updated on our website.

Please visit www.alfalaval.com to access the information directly.

© Alfa Laval Corporate AB

This document and its contents is owned by Alfa Laval Corporate AB and protected by laws governing intellectual property and thereto related rights. It is the responsibility of the user of this document to comply with all applicable intellectual property laws. Without limiting any rights related to this document, no part of this document may be copied, reproduced or transmitted in any form or by any means (electronic, mechanical, photocopying, recording, or otherwise), or for any purpose, without the expressed permission of Alfa Laval Corporate AB. Alfa Laval Corporate AB will enforce its rights related to this document to the fullest extent of the law, including the seeking of criminal prosecution.