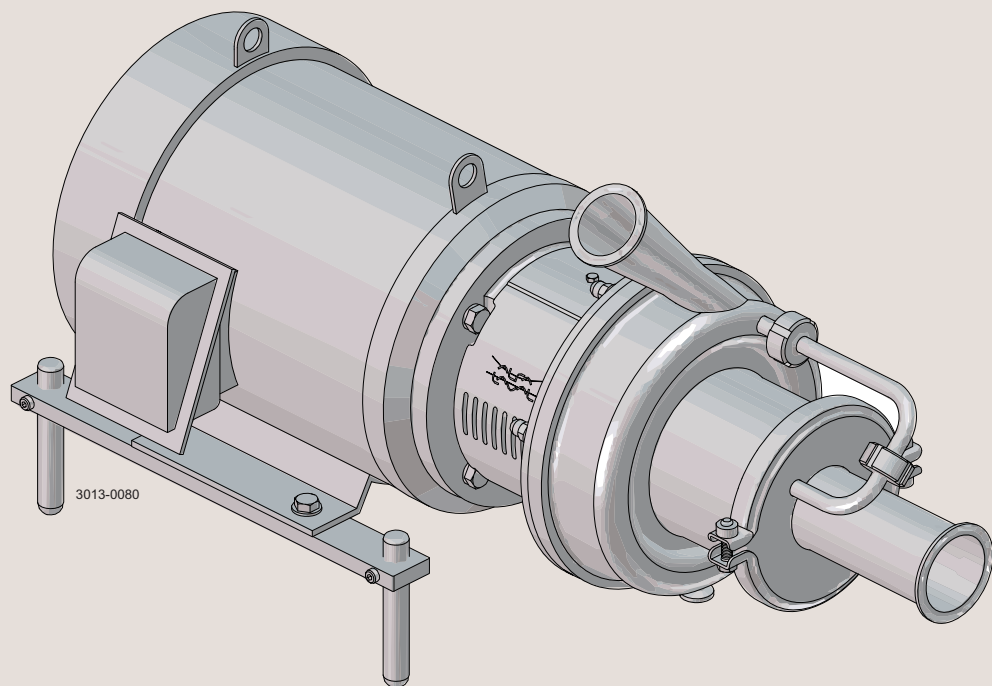




Spare Parts

LKH Prime UltraPure

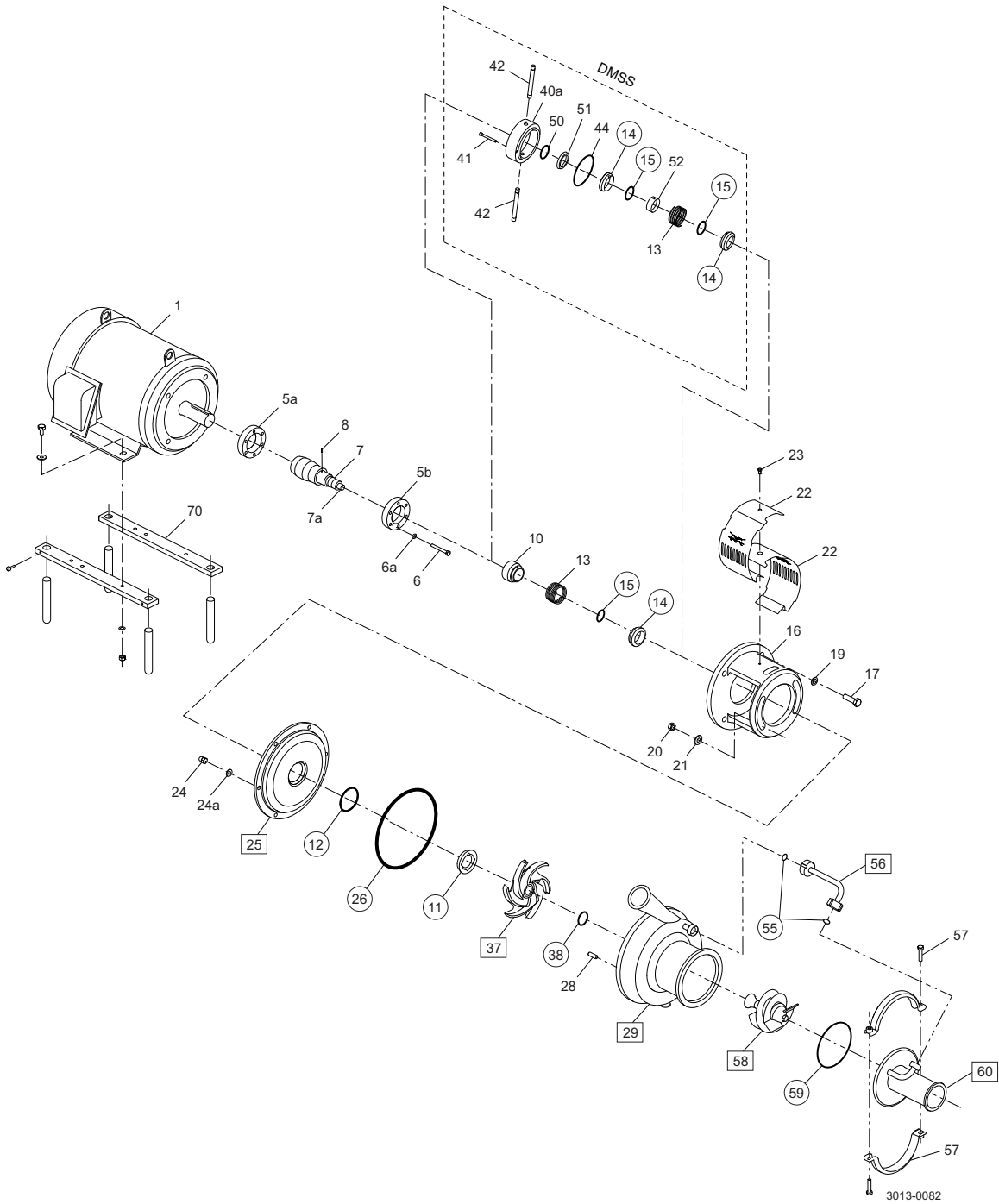


ESE03181-ENUS4 2018-02

Original manual

The information herein is correct at the time of issue but may be subject to change without prior notice

1. LKH Prime UltraPure - Wet end	4
2. LKH Prime UltraPure - Motor dependent parts	6
3. LKH Prime UltraPure - Shaft seal	8



3013-0082

- Product wetted non-metallic parts
- Product wetted metallic parts

Pos	Qty	Denomination	LKH Prime UltraPure 20 3-20HP
-----	-----	--------------	-------------------------------------

Casing Mech Ra ≤ 20, 45deg outlet, 1/2" drain

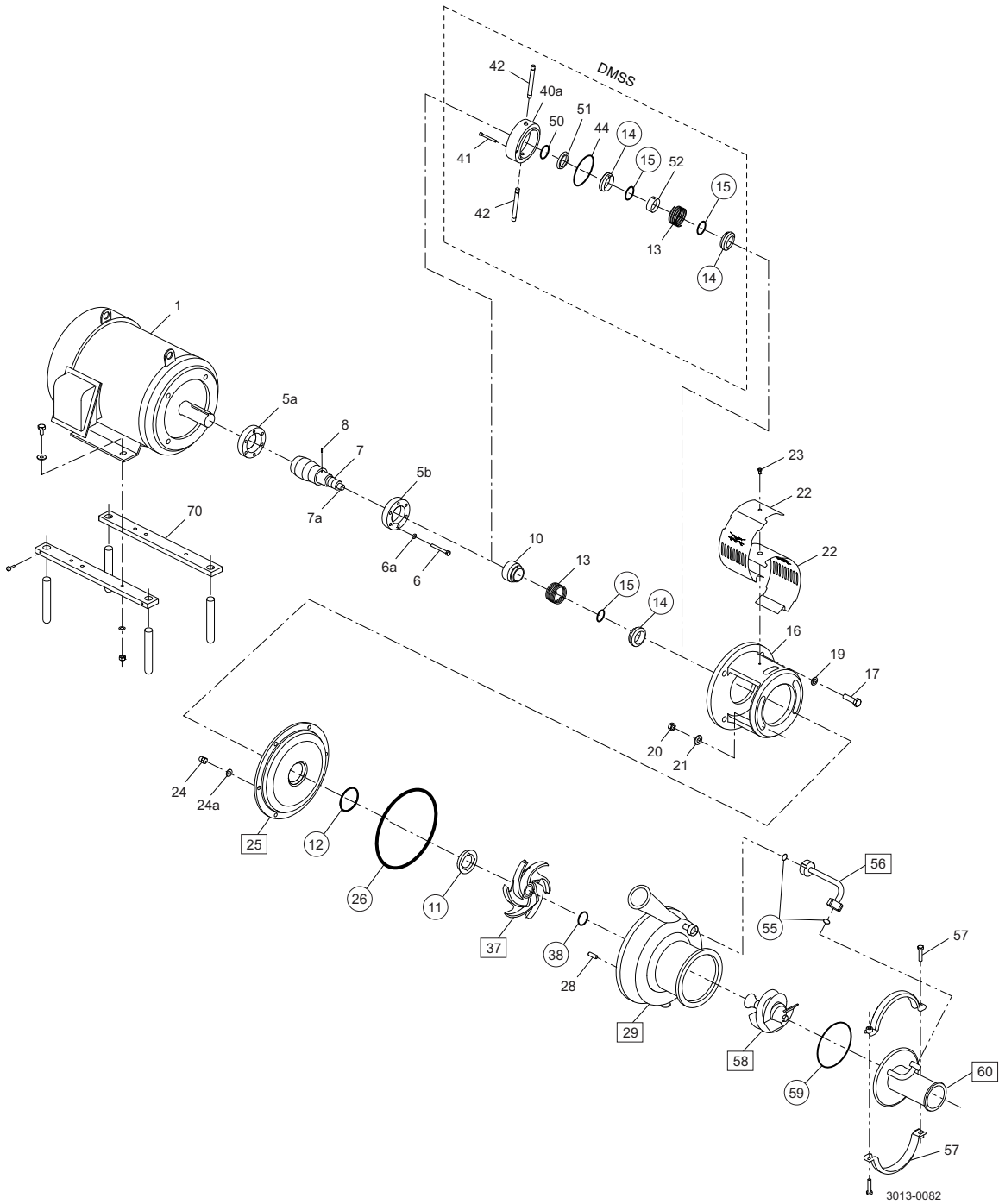
29	1	Connections and drain, ferrule Tri-clamp for ASME BPE	9615264814
----	---	---	------------

Casing EP Ra ≤ 15 EP, 45deg outlet, 1/2" drain

	1	Connections and drain, ferrule Tri-clamp for ASME BPE	9615264826
--	---	---	------------

Note: For article numbers on casing specifications not listed above. Please contact your local Alfa Laval partner.
 Note: Heat certificates can be downloaded from www.alfalaval.com/certificates.

60	1	Cover compl., Mech Ra ≤ 20, Ferrule Tri-clamp for ASME BPE .	9615265114
	1	Cover compl., EP Ra ≤ 15 EP, Ferrule Tri-clamp for ASME BPE .	9615265126
59 ♦♦	1	O-ring, EPDM	
	1	O-ring, FPM	
	1	O-ring, FEP	
56	1	Recirculation pipe, Mech Ra ≤ 20	9615202001
	1	Recirculation pipe, EP Ra ≤ 15 EP	9615202002
55 ♦♦	2	O-ring, EPDM	
	2	O-ring, FPM	
	2	O-ring, FEP	
57	1	Clamp set	9611311057
58	1	Air screw, Mech Ra ≤ 20	9615216505
	1	Air screw, EP Ra ≤ 15 EP	9615216506
24	6	Cap nut	9611992592
24a	6	Spring washer	9611991888
28	1	Bolt	9611992168
37	1	Impeller, Mech Ra ≤ 20	9612131406
	1	Impeller, EP Ra ≤ 15 EP	9612131415
25	1	Backplate compl, Mech Ra ≤ 20	9612633202
	1	Backplate compl , EP Ra ≤ 15 EP	9612633207
20	2	Nut	9611990353
21	2	Washer	9611992559
26 ♦♦	1	Pump casing O-ring, EPDM	
	1	Pump casing O-ring, FPM	
	1	Pump casing O-ring, FEP	
38 ♦♦	1	O-ring impeller, EPDM	
	1	O-ring impeller, FPM	
	1	O-ring impeller, FEP	



3013-0082

- Product wetted non-metallic parts
- Product wetted metallic parts

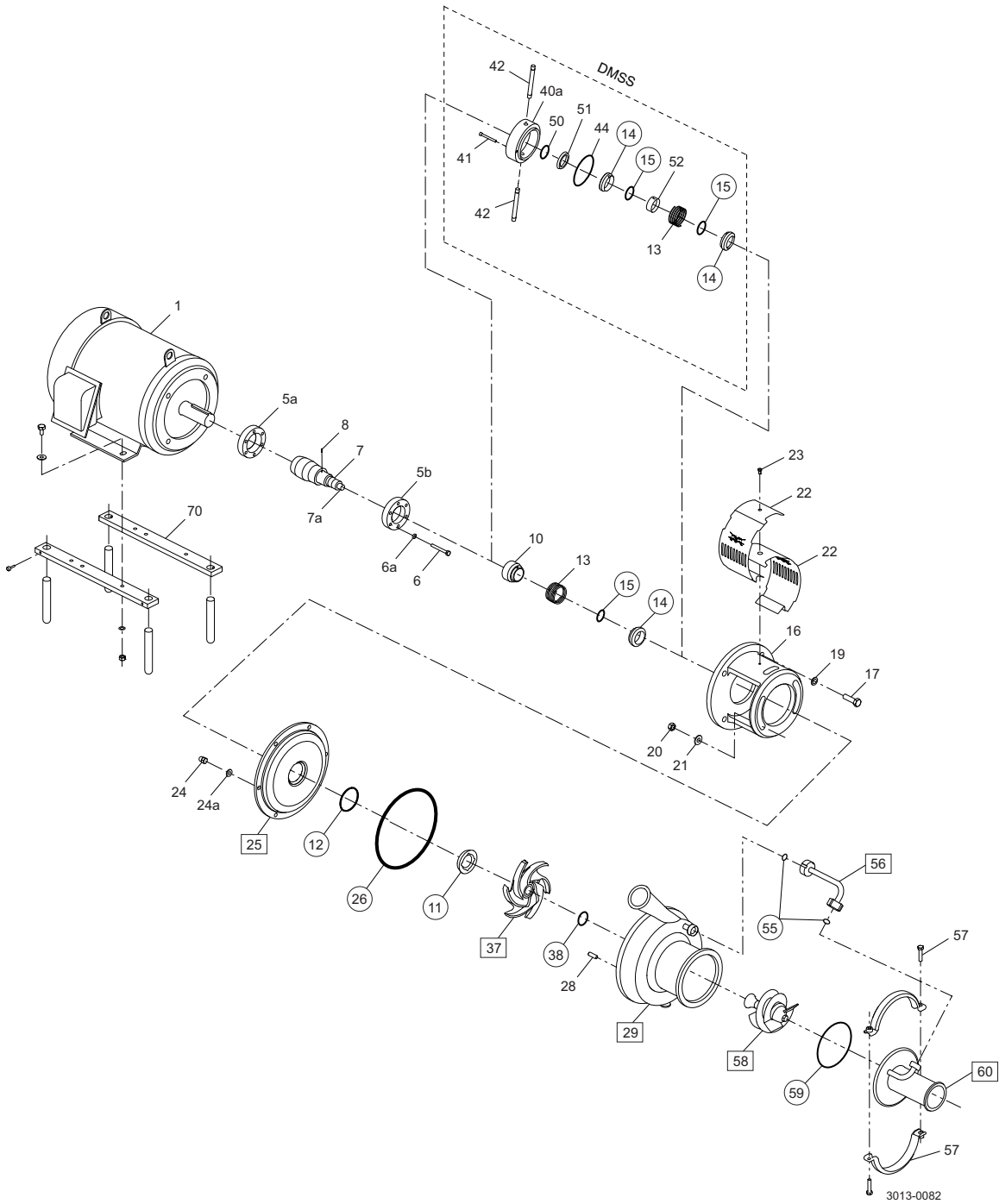
LKH Prime UltraPure - Motor dependent parts

Pos	Qty	Denomination	3-5HP	7.5-10HP	15-20HP
			182-184TC	213-215TC	254-256TC
7	1	Shaft	9615230407	9615230408	9615230409
7a	1	Stud bolt, (included in pos 7)	9615230301	9615230301	9615230301
9	1	Retaining ring, (included in pos 7)			
8	1	Connex pin, (included in pos 7)	9611990622	9611990622	9611990622
5a	1	Compression ring with thread	9612133602	9612133606	9612133603
5b	1	Compression ring without thread	9612133702	9612133706	9612133703
6	6	Screw	9611993196	9611993197	9611993198
6a	6	Washer	9611993199	9611993199	9611993199
16	1	Adaptor	9612342901	9612343001	9612343101
17	4	Screw for adaptor	9611994412	9611994413	9611994414
19	4	Washer for adaptor	9611994417	9611994417	9611994417
22	1	Safety guard set	9614077405	9614077408	9614077409
23	1	Screw for safety guard			
70	1	Bracket set stainless steel	481661	481663	481665

Pos	Qty	Denomination	3Hp	5Hp	7.5Hp
1	1	Motor 3600rpm	182TC	184TC	213TC

Pos	Qty	Denomination	10Hp	15Hp	20Hp
1	1	Motor 3600rpm	215TC	254TC	256TC

3/60/208/230-460 - standard



- Product wetted non-metallic parts
- Product wetted metallic parts

Pos	Qty	Denomination	EPDM	FPM	FEP
Accessories					
	1	Tool complete	9612137101		
10	1	Drive ring, Single shaft seal steel	9614206001		
Parts for double mechanical shaft seal					
40a	1	Seal housing	9612133916		
41	2	Screw for seal housing	9611990203		
42	2	Fittings	9611995691		
Single shaft seal SiC/SiC					
	♦	Single haft seal, Sic/SiC			
11	1	Stationary seal ring, SiC			
12	1	O-ring			
13	1	Spring			
14	1	Rotating seal ring, SiC			
15	1	O-ring			
Double mechanical shaft seal SiC/SiC					
	●	Double mechanical shaft seal, SiC/SiC			
11	1	Stationary seal ring, SiC			
12	1	O-ring			
13	1	Spring			
14	2	Rotating seal ring, SiC			
15	2	O-ring			
44	1	O-ring for seal housing			
50	1	O-ring			
51	1	Sec. stationary seal ring			
52	1	Drive ring			

EPDM FPM FEP

Service kit for single shaft seal

Service kit LKH Prime UP-20 (incl. Q-doc)	♦ 9611927187	♦ 9611927188	♦ 9611927191
---	--------------	--------------	--------------

Service kit for double mechanical shaft

Service kit LKH Prime UP-20 (incl. Q-doc)	● 9611927189	● 9611927190	● 9611927192
---	--------------	--------------	--------------

Note: All service kits are as standard delivered with Q-doc, including 3.1 certification on product wetted steel parts and declarations of conformity.

Parts marked with ♦● are included in the service kits.

Recommended Spare Parts: Service kits.

Conversion kit single to double mechanical shaft seal : Please order double mechanical service kit + pos. 40a + 41 + 42

(900690/5)

How to contact Alfa Laval

Contact details for all countries are continually updated on our website.

Please visit www.alfalaval.com to access the information directly.

© Alfa Laval Corporate AB

This document and its contents is owned by Alfa Laval Corporate AB and protected by laws governing intellectual property and thereto related rights. It is the responsibility of the user of this document to comply with all applicable intellectual property laws. Without limiting any rights related to this document, no part of this document may be copied, reproduced or transmitted in any form or by any means (electronic, mechanical, photocopying, recording, or otherwise), or for any purpose, without the expressed permission of Alfa Laval Corporate AB. Alfa Laval Corporate AB will enforce its rights related to this document to the fullest extent of the law, including the seeking of criminal prosecution.