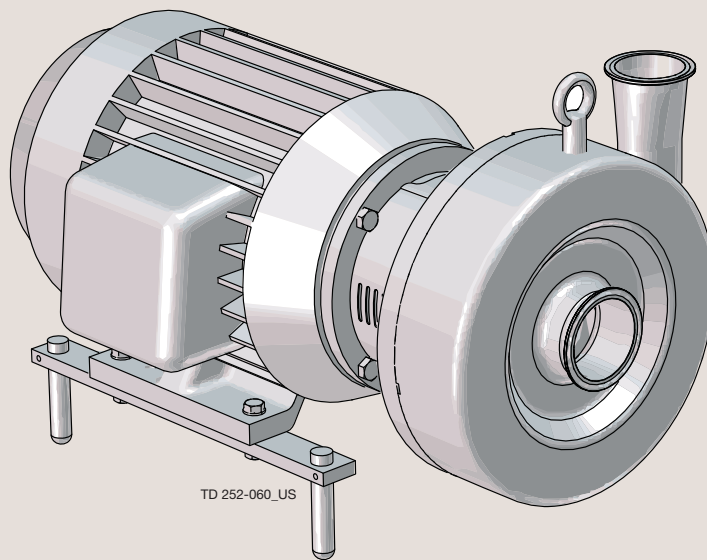




Spare Parts

LKHPF Filtration Centrifugal Pump for High Inlet Pressure

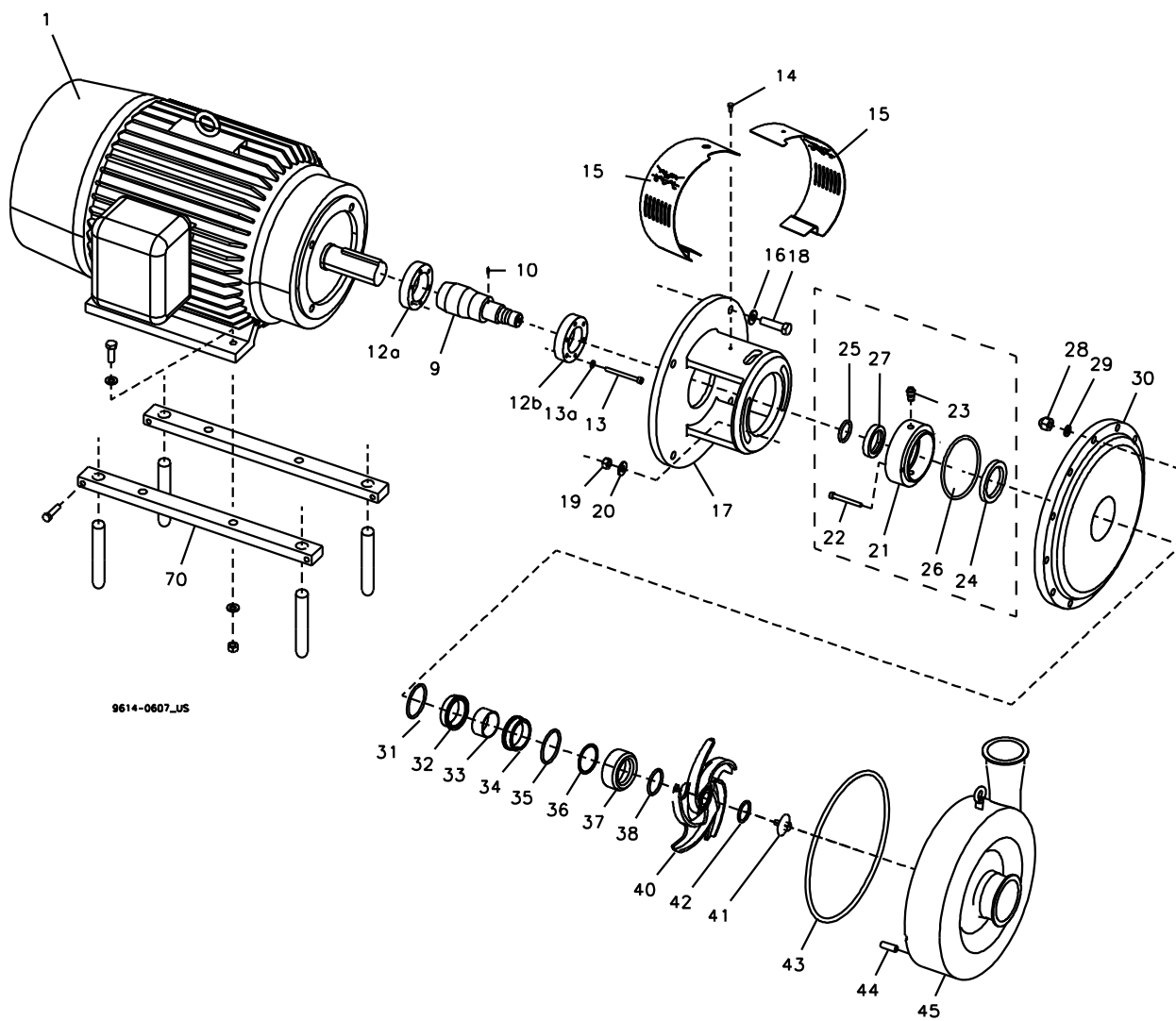


ESE01953-ENUS10 2019-01

Original manual

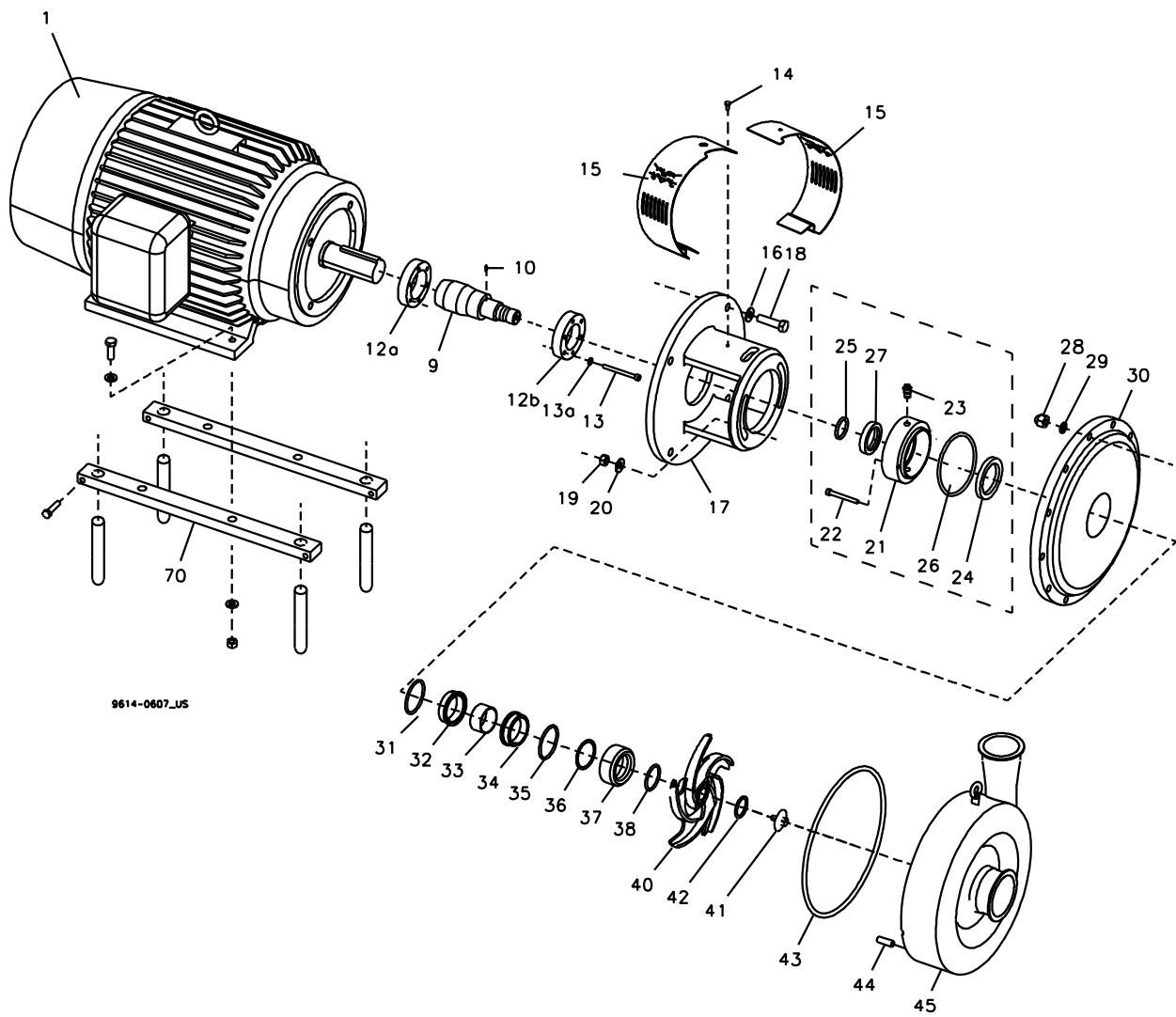
The information herein is correct at the time of issue but may be subject to change without prior notice

1. LKHPF - Wet end	4
2. LKHPF - Motor dependent parts	6
3. LKHPF - Shaft Seals	8



Pos	Qty	Denomination	LKHPF-10 7.5 Hp	LKHPF-20 7.5-10 Hp	LKHPF-25 7.5-20 Hp	LKHPF-35 7.5-20 HP	LKHPF-40 10-30 Hp
Pump Casing Polished Ra ≤ 32							
19	2	Nut	9611990353	9611990353	9611990353	9611990353	9611990353
20	2	Washer	9611992559	9611992559	9611992559	9611992559	9611992559
28	10	Cap nut	9611992593	9611992593	22185115	22185115	
	12	Cap nut					22185115
29	10	Washer	9611991887	9611991887	9611990676	9611990676	
	12	Washer					9611990676
30	1	Back plate, polished Ra ≤ 32 (-010119)	9612483729	9612483730	9612483732	9612483732	9612483731
	1	Back plate, 2 pins Mech Ra ≤ 0.8 (010119-)	9612483741	9612483742	9612483743	9612483743	9612483744
40	1	Impeller, polished Ra ≤ 32	9612408106	9612408206	9612510306	9612510406	9612408406
41	1	Impeller screw, polished Ra ≤ 32	9612139603	9612139603	9612139603	9612139603	9612139603
42	□♦	1 O-ring, EPDM (standard)	9611992145	9611992145	9611992145	9611992145	9611992145
	1	O-ring, NBR	9611992147	9611992147	9611992147	9611992147	9611992147
	1	O-ring, FPM	9611992146	9611992146	9611992146	9611992146	9611992146
43	□♦	1 O-ring, EPDM (standard)	9611992137	9611992141	9611992983	9611992983	9611992171
	1	O-ring, NBR	9611992139	9611992143	9611992984	9611992984	9611992173
	1	O-ring, FPM	9611992138	9611992142	9611992985	9611992985	9611992172
44	10	Bolt	9611995162	9611995162	9611995085	9611995085	
	12	Bolt					9611995085
45	1	Pump casing compl., Tri-clamp Ra ≤ 32	9612484045	9612484046	9612511730	9612511731	9612484047

Pos	Qty	Denomination	LKHPF-45 7.5-20 Hp	LKHPF-50 7.5-30 Hp	LKHPF-60 7.5-60 Hp	LKHPF-70 40-100 Hp
Pump Casing Polished Ra ≤ 32						
19	2	Nut	9611990353	9611990353	9611990353	
	4	Nut				9611990353
20	2	Washer	9611992559	9611992559	9611992559	
	4	Washer				9611992559
28	10	Cap nut		22185115		
	12	Cap nut		22185115	22185115	
	18	Cap nut				22185115
29	10	Washer	9611990676			
	12	Washer		9611990676	9611990676	
	18	Spring washer				9611990676
30	1	Back plate, polished Ra ≤ 32 (-010119)	9612483732	9612483731	9612483731	9612483720
	1	Back plate, 2 pins Mesh Ra ≤ 0.8 (010119-)	9612483743	9612483744	9612483744	9612483720
40	1	Impeller, polished Ra ≤ 32	9612510506	9612408506	9612408606	9613425503
41	1	Impeller screw, polished Ra ≤ 32	9612136903	9612139603	9612139603	9612927102
42	□♦	1 O-ring, EPDM (standard)	9611992145	9611992145	9611992145	9611993215
	1	O-ring, NBR	9611992147	9611992147	9611992147	9611993216
	1	O-ring, FPM	9611992146	9611992146	9611992146	9611993217
43	□♦	1 O-ring, EPDM (standard)	9611992983	9611992171	9611992171	9611993211
	1	O-ring, NBR	9611992984	9611992173	9611992173	9611993212
	1	O-ring, FPM	9611992985	9611992172	9611992172	9611993213
44	10	Bolt	9611995085			
	12	Bolt		9611995085	9611995085	
	18	Stud bolt				9611995085
45	1	Pump casing compl. Tri-clamp Ra ≤ 32	9612511732	9612484048	9612484049	9612484029



LKHPF - Motor dependent parts

LKHPF -10-60

Pos	Qty	Denomination	7.5-10 Hp	15-20 Hp	25-30 Hp
9	1	Shaft and pin (pos.10)	9612133202	9612133302	9612133302
10	1	Connex pin	9611990622	9611990622	9611990622
12a	1	Compression ring with thread	9612133606	9612133603	9612133603
12b	1	Compression ring without thread	9612133706	9612133703	9612133703
13	6	Screw	9611993197	9611993198	9611993198
13a	6	Washer	9611993199	9611993199	9611993199
14	1	Screw for safety guard			
15	1	Safety guard set	9614077408	9614077409	9614077409
16	4	Washer for adaptor	9611994417	9611994417	9611994417
17	1	Adaptor	9612343001	9612343101	9612343102
18	4	Screw for adaptor	9611994413	9611994414	9611994414
70	2	Leg bracket	481663	481665	481669

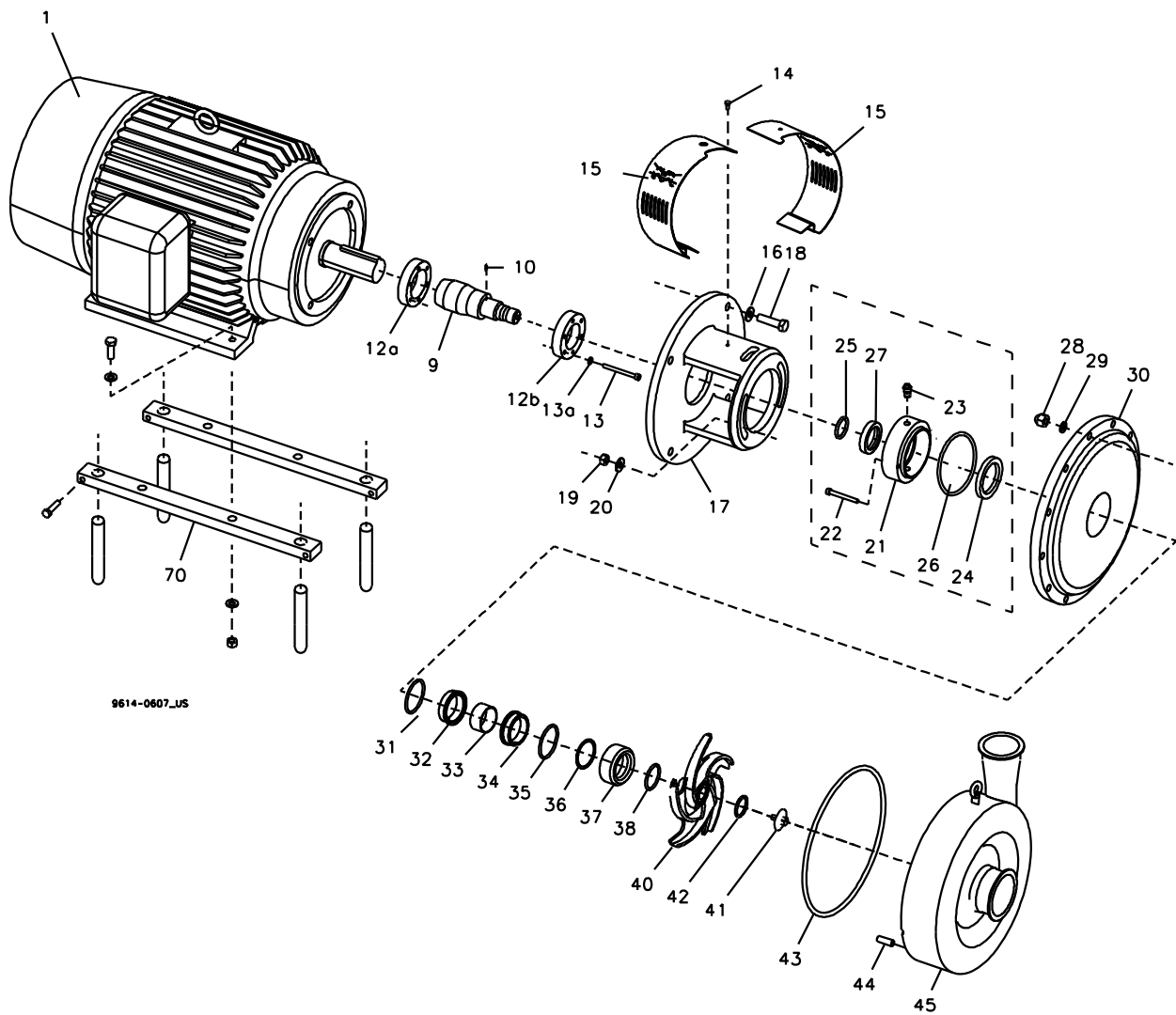
LKHPF -70

Pos	Qty	Denomination	40-50 Hp	60-75 Hp	100 Hp
9	1	Shaft and pin (pos.10)	9612512503	9612512503	9612554003
10	1	Connex pin	9611990622	9611990622	9611990622
12a	1	Compression ring with thread	9612133604	9612133604	9612133607
12b	1	Compression ring without thread	9612133704	9612133704	9612133707
13	6	Screw	9611993198	9611993198	9611993266
13a	6	Washer	9611993199	9611993199	9611993199
14	1	Screw for safety guard			
15	1	Safety guard set	9614077410	9614077410	9614077410
16	4	Washer for adaptor	9611994418	9611994418	9611994418
17	1	Adaptor	9612511902	9612511902	9612511902
18	4	Screw for adaptor	9611994415	9611994415	9611994415
70	2	Leg bracket	9634056195	9634056196	9634056196

Pos	Qty	Denomination	7.5 Hp	10 Hp	15 Hp	20 Hp	25 Hp	30 Hp
1	1	Motor	213TC	215TC	254TC	256TC	284TSC	286TSC

Pos	Qty	Denomination	40 Hp	50 Hp	60 Hp	70 Hp	100 Hp
1	1	Motor	324TSC	326TSC	364TSC	365TSC	405TSC

3/60/208/230-460 - standard



LKHPF - Shaft Seals

Pos	Qty	Denomination	LKHPF 10-60	LKHPF 70
33	1	Spacing ring	9612362502	9612362504
37	1	Rotating seal housing	9612362401	9612604501
57	1	Set of 8 springs for rotating sealhousing, (incl. In pos 37)	9611995848	
	1	Set of 14 springs for rotating sealhousing, (incl. In pos 37)		9611995849
Parts for flushed shaft seal				
21	1	Seal housing for flushed seal (period-12. 2014)	9612362602	9612362604
	1	Seal housing for flushed seal (period 12.2014-)	9612362606	9612362608
22	2	Screw	9611994038	9611993232
23	2	Fittings	9611995691	9611995691
27	1	Sleeve	9612362902	9612362903

Pos	Qty	Denomination	LKHPF 10-60 EPDM	LKHPF 10-60 NBR	LKHPF 10-60 FPM	LKHPF 70 EPDM	LKHPF 70 NBR	LKHPF 70 FPM
Single shaft seal								
	□	Shaft seal complete	9612362204	9612362205	9612362206	9612602404	9612602405	9612602406
31	1	O-ring						
32	1	Stationary seal ring., SiC						
34	1	Rotating seal ring., SiC						
35	1	Quad ring/O-ring						
36	1	PTFE support ring						
38	1	Quad ring/O-ring						
Flushed shaft seal								
	◆	Shaft seal complete	9612362210	9612362211	9612362212	9612602410	9612602411	9612602412
24	1	Lip seal						
25	1	O-ring, EPDM						
26	1	O-ring, EPDM						
31	1	O-ring						
32	1	Stationary seal ring., SiC						
34	1	Rotating seal ring., SiC						
35	1	Quad ring						
36	1	PTFE support ring						
38	1	Quad ring						

EPDM NBR FPM

Service kit for single shaft seal				
□	Service kit, SiC/SiC, LKHPF -10	9611922142	9611922143	9611922144
□	Service kit, SiC/SiC, LKHPF -20	9611922154	9611922155	9611922156
□	Service kit, SiC/SiC, LKHPF -25/35/45	9611922197	9611922198	9611922199
□	Service kit, SiC/SiC, LKHPF -40/50/60	9611922166	9611922167	9611922168
□	Service kit, SiC/SiC, LKHPF -70	9611922946	9611922947	9611922948
Service kit for flushed shaft seal				
◆	Service kit, SiC/SiC, LKHPF -10	9611922148	9611922149	9611922150
◆	Service kit, SiC/SiC, LKHPF -20	9611922160	9611922161	9611922162
◆	Service kit, SiC/SiC, LKHPF -25/35/45	9611922203	9611922204	9611922205
◆	Service kit, SiC/SiC, LKHPF -40/50/60	9611922172	9611922173	9611922174
◆	Service kit, SiC/SiC, LKHPF -70	9611922949	9611922950	9611922951

Parts marked with □◆ are included in the service kits.

Recommended Spare parts: Service kits.

Conversion single to flushed shaft seal : Please order Flushed service kit + pos. 21+22+23+27

(900600/9)

How to contact Alfa Laval

Contact details for all countries are continually updated on our website.

Please visit www.alfalaval.com to access the information directly.

© Alfa Laval Corporate AB

This document and its contents is owned by Alfa Laval Corporate AB and protected by laws governing intellectual property and thereto related rights. It is the responsibility of the user of this document to comply with all applicable intellectual property laws. Without limiting any rights related to this document, no part of this document may be copied, reproduced or transmitted in any form or by any means (electronic, mechanical, photocopying, recording, or otherwise), or for any purpose, without the expressed permission of Alfa Laval Corporate AB. Alfa Laval Corporate AB will enforce its rights related to this document to the fullest extent of the law, including the seeking of criminal prosecution.