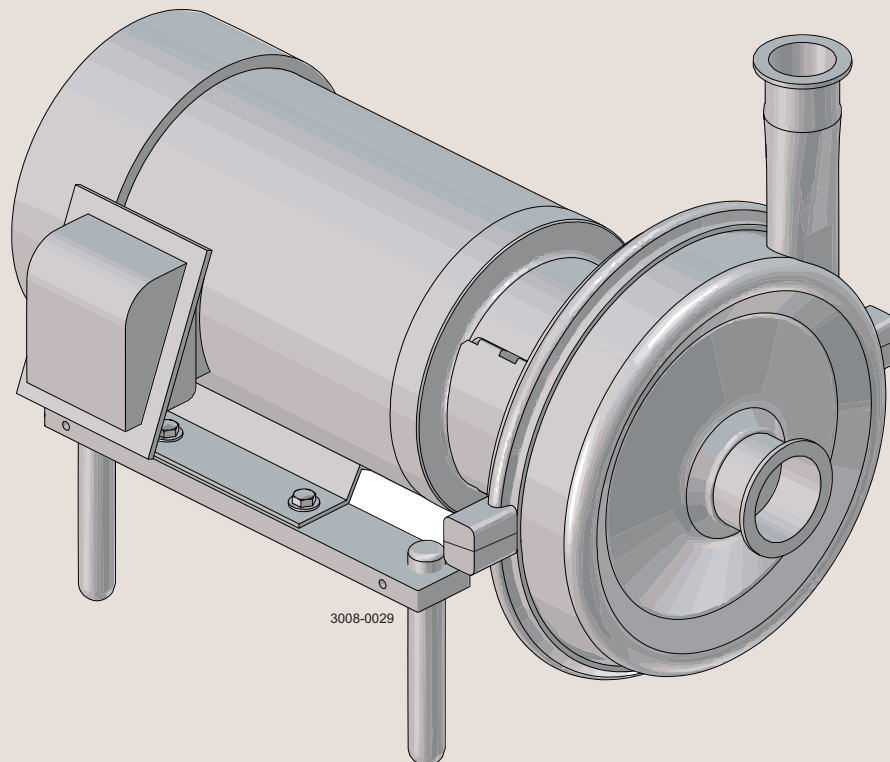




## Spare Parts

### SolidC Pump



ESE00721-ENUS4 2017-03

Original manual



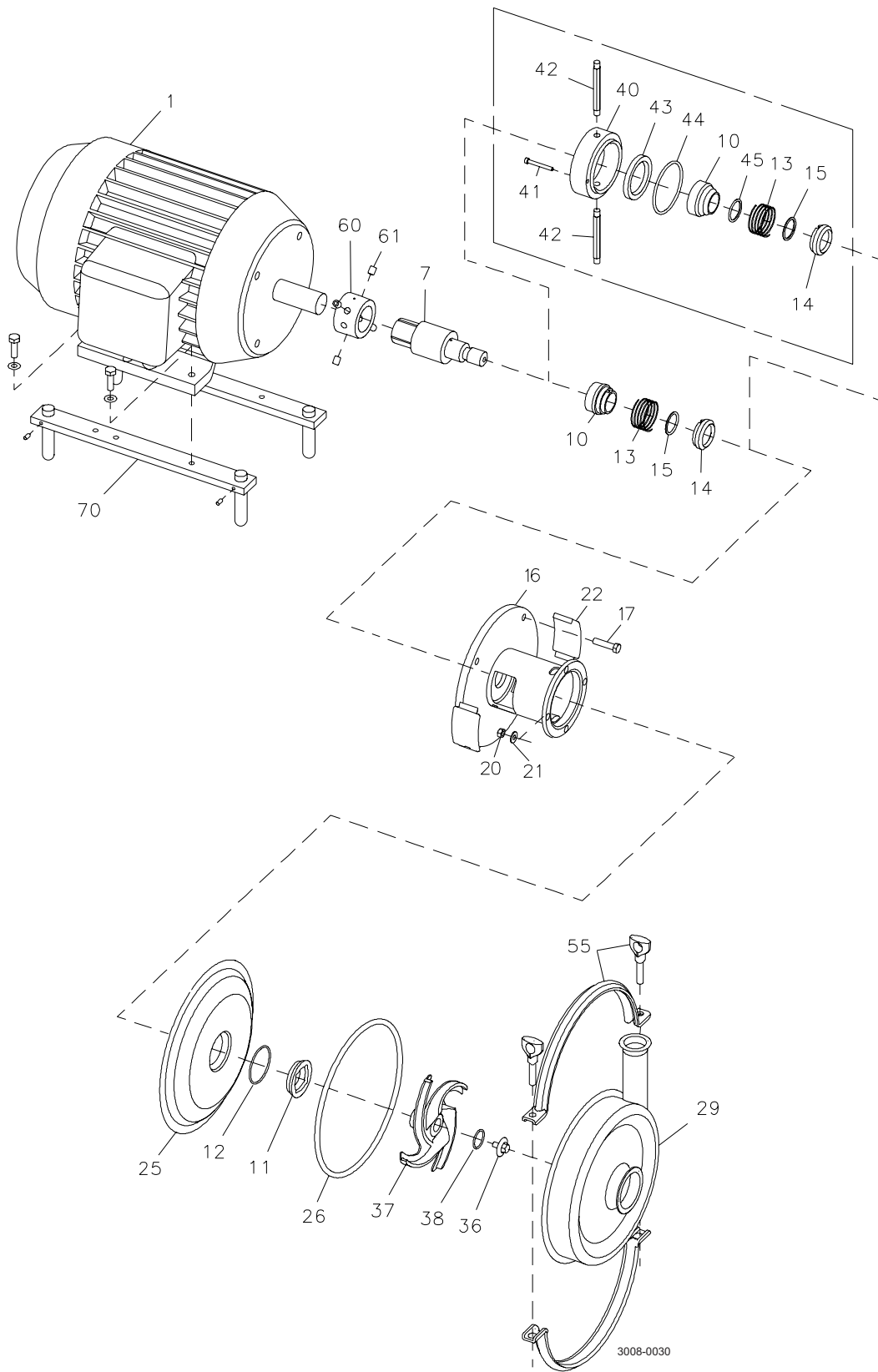
---

*The information herein is correct at the time of issue but may be subject to change without prior notice*

**1. SolidC - Wet end ..... 4**

**2. SolidC - Motor dependent parts ..... 6**

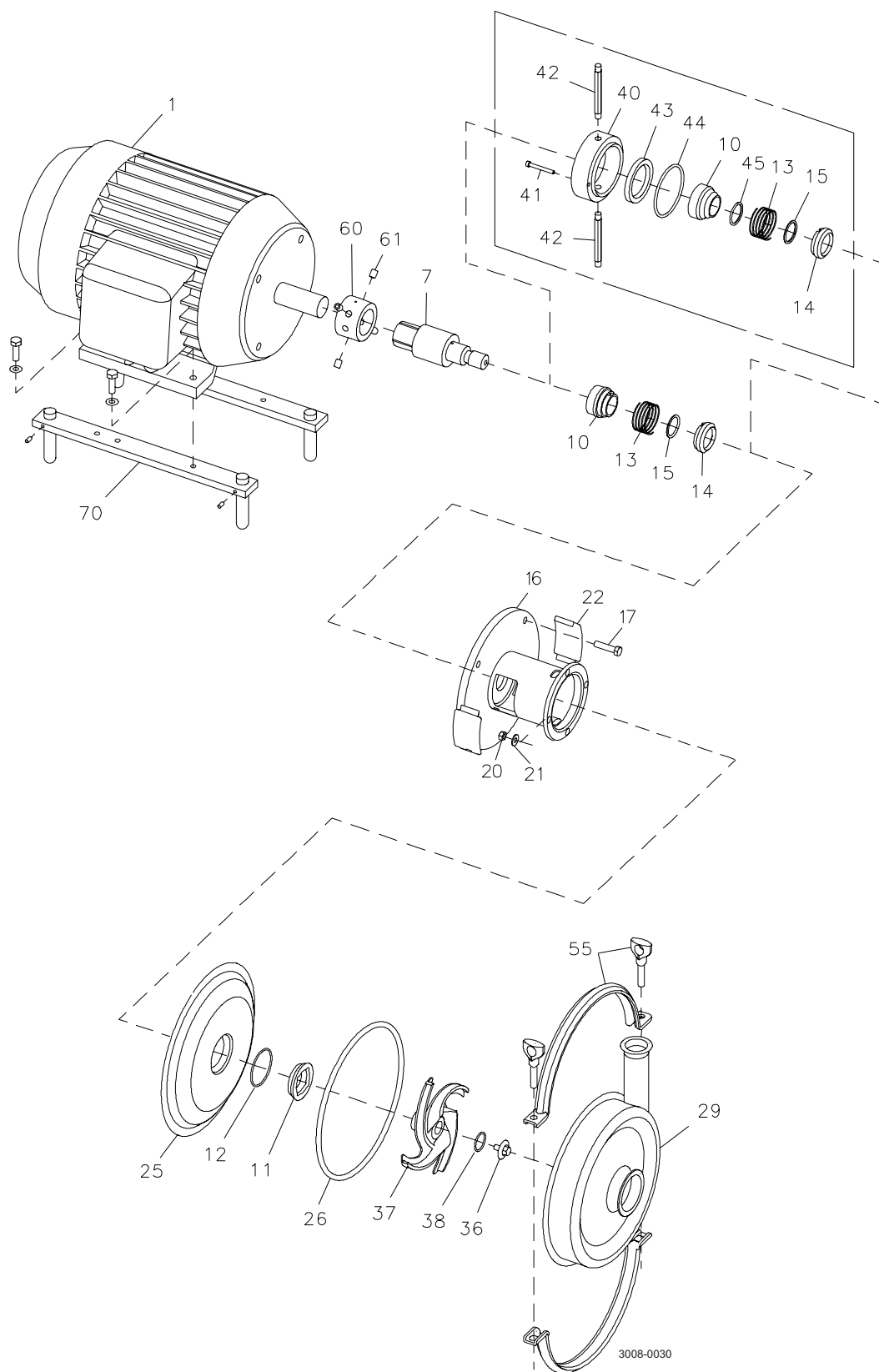
**3. SolidC - Shaft seal ..... 8**



3008-0030

SolidC - Wet end

Pos	Qty	Denomination	Solid C1 1.5 - 2Hp	Solid C2 3 - 20Hp	Solid C3 5 - 30Hp	Solid C4 10 - 30HP
<b>Wed end</b>						
29	1	Pump Casing , polished Ra ≤ 32 .....	9612910201	9612910202	9612910203	9612910204
26	1	□♦○■ O-ring for casing, EPDM (standard) .....	9611994241	9611994245	9611994249	9611994253
	1	O-ring for casing, NBR .....	9611994242	9611994246	9611994250	9611994254
	1	O-ring for casing, FPM .....	9611994243	9611994247	9611994251	9611994255
	1	O-ring for casing, FEP .....	9611994244	9611994248	9611994252	9611994256
55	1	Clamp set .....	9612915405	9612915406	9612915407	9612915408
36	1	Impeller screw , polished Ra ≤ 32 .....	9612362703	9612362703	9612362703	9612362703
37	1	Impeller , polished Ra ≤ 32 .....	9612911506	9612911806	9612912106	9612912406
38	1	□♦○■ O-ring for impeller screw, EPDM (standard) .....	9611992750	9611992750	9611992750	9611992750
	1	O-ring for impeller screw, NBR .....	9611992751	9611992751	9611992751	9611992751
	1	O-ring for impeller screw, FPM .....	9611992752	9611992752	9611992752	9611992752
	1	O-ring for impeller screw, FEP .....	9611993539	9611993539	9611993539	9611993539
25	1	Back plate, polished Ra ≤ 32 .....	9612911409	9612911410	9612911411	9612911412
20	4	Nut for backplate .....	9611990353	9611990353	9611990353	9611990353
21	4	Washer for backplate .....	9611990786	9611990786	9611990786	9611990786



**SolidC - Motor dependent parts**

Pos	Qty	Denomination	1.5 - 2Hp	3 - 5Hp	7.5 - 10Hp	15 - 20Hp	25 - 30Hp
<b>Motor dependent parts</b>							
7	1	Shaft .....	9612913701	9612913801	9612913901	9612914001	9612914001
16	1	Adaptor .....	9613459305	9613459306	9613459307	9613459308	9613459309
22	2	Safety guard .....	9612915301	9612915301	9612915301	9612915301	9612915301
60	1	Comp. Ring .....	9612914204	9612914202	9612914205	9612914401	9612914401
61	4	Screw for comp. Ring .....	9611994258	9611994258	9611994259	9611994259	9611994259
64	1	Motorflange .....					
71	4	Spring washer for motorflange .....	9611994416	9611994417	9611994417	9611994417	9611994417
17	4	Screw for motorflange .....	9611994411	9611994412	9611994413	9611994414	9611994414
70	2	Bracket set stainless steel .....	481656	481661	481663	481665	481669
	2	Bracket set carbon steel (standard) .....	481655	481658	481662	481664	481668

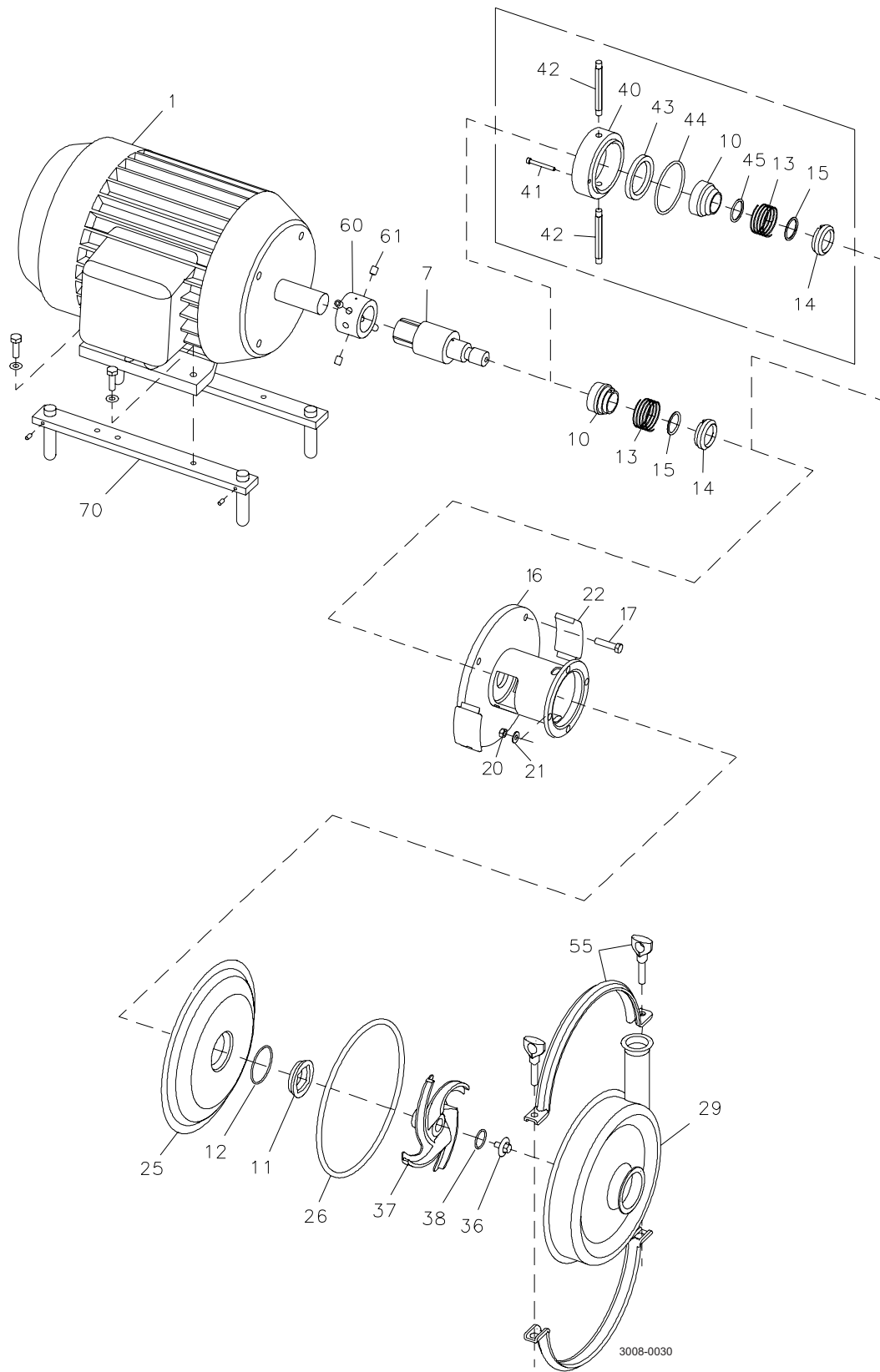
Pos	Qty	Denomination	1.5Hp	2Hp	3Hp	5Hp	7.5Hp
1	1	Motor 3600rpm .....	9613601623	9613601624	9613601625	9613601626	9613601627

Pos	Qty	Denomination	10Hp	15Hp	20Hp	25Hp	30Hp
1	1	Motor 3600rpm .....	9613601628	9613601629	9613601630	9613601631	9613601632

Pos	Qty	Denomination	1Hp	1.5Hp	2Hp	3Hp	5Hp
1	1	Motor 1800rpm .....	9613601687	9613601688	9613601689	9613601690	9613601691

Pos	Qty	Denomination	7.5Hp	10Hp
1	1	Motor 1800rpm .....	9613601692	9613601693

3/60/208/230-460 - Standard





**SolidC - Shaft seal**

**Pos Qty Denomination** **Solid C1 - 4**  
**1.5 -30Hp**

**Accessories**

1	1	Tool for seal .....	9612903601
	1	Impeller gauge .....	9613601680

**Parts for flushed shaft seal**

40	1	Seal housing (Period -12. 2014) .....	9612133901
	1	Seal housing (period 12. 2014-) .....	9612133903
41	2	Screw for seal housing .....	9611990203
42	2	Tube (period -12.2014) .....	9612358915
	2	Tube (period 12.2014-) .....	9612358920

**Drive ring**

10	1	Drive ring, Single shaft seal .....	9614206001
	1	Drive ring, Flushed shaft seal .....	9612926801

<b>Pos</b>	<b>Qty</b>	<b>Denomination</b>	<b>Solid C1-4 EPDM</b>	<b>Solid C1-4 NBR</b>	<b>Solid C1-4 FPM</b>	<b>Solid C1-4 FEP</b>
------------	------------	---------------------	----------------------------	---------------------------	---------------------------	---------------------------

**Single shaft seal (standard)**

□◆		Complete shaft seal C/SiC .....	9612129609	9612129610	9612129611	9612129612
11	1	Stationary seal ring, SiC .....				
12	1	O-ring, EPDM .....				
13	1	Spring .....				
14	1	Rotating seal ring, Carbon .....				
15	1	O-ring, EPDM .....				

**Alternatives for single shaft seal**

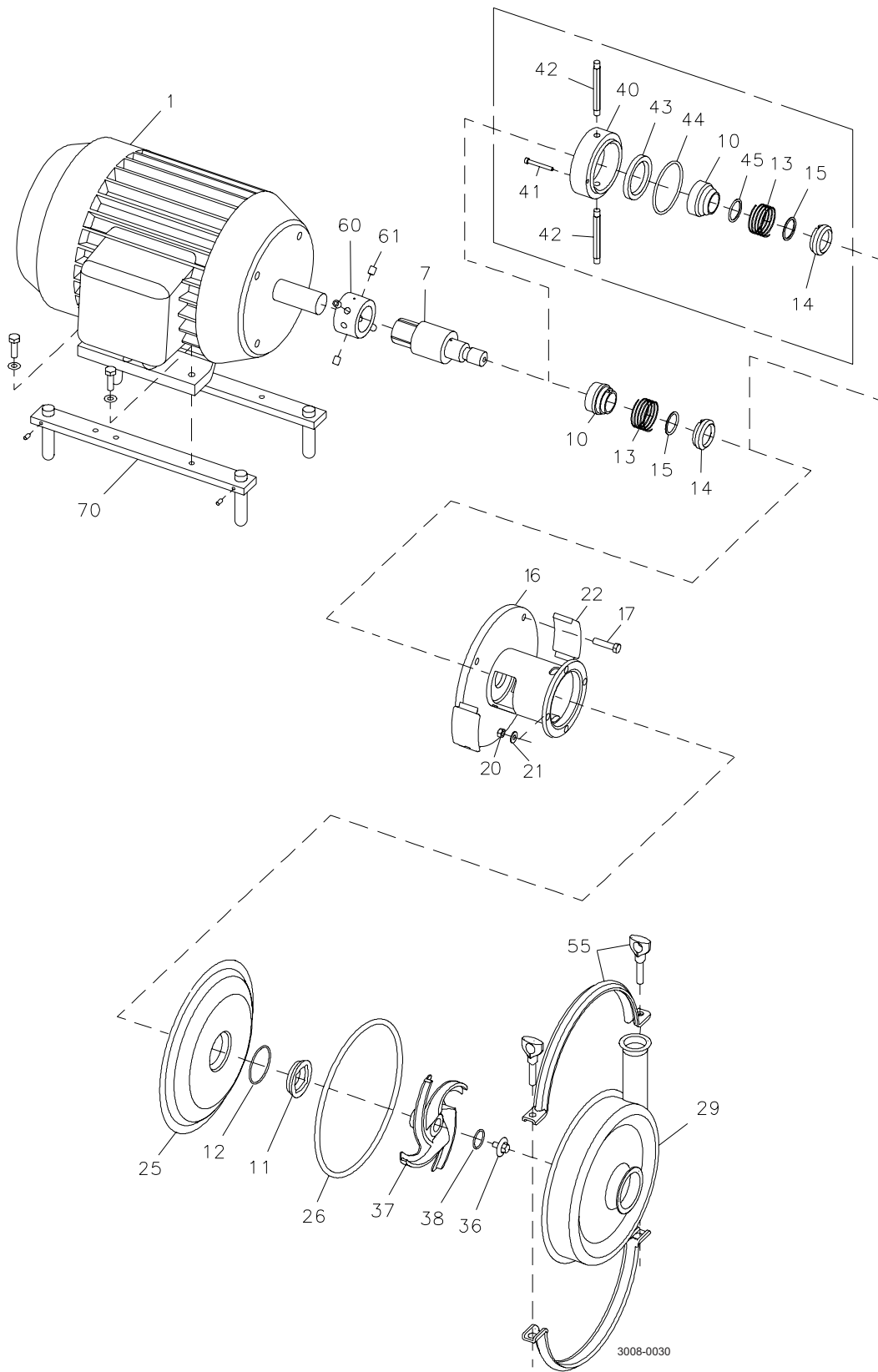
◆◆		Complete shaft seal, SiC/SiC .....	9612129605	9612129606	9612129607	9612129608
11	1	Stationary seal ring, SiC .....				
12	1	O-ring, EPDM .....				
13	1	Spring .....				
14	1	Rotating seal ring, SiC .....				
15	1	O-ring, EPDM .....				

**Flushed shaft seal (standard)**

○■		Complete shaft seal, C/SiC .....	9612919301	9612919302	9612919303	9612919304
11	1	Stationary seal ring, SiC .....				
12	1	O-ring, EPDM .....				
13	1	Spring .....				
14	1	Rotating seal ring, Carbon .....				
15	1	O-ring, EPDM .....				
43	1	Lip seal .....				
44	1	O-ring for seal housing EPDM .....				
45	1	O-ring for drive ring .....				

**Alternatives for flushed shaft seal**

*◎		Complete shaft seal, SiC/SiC .....	9612919305	9612919306	9612919307	9612919308
11	1	Stationary seal ring, SiC .....				
12	1	O-ring, EPDM .....				
13	1	Spring .....				
14	1	Rotating seal ring, SiC .....				
15	1	O-ring, EPDM .....				
43	1	Lip seal .....				
44	1	O-ring for seal housing EPDM .....				
45	1	O-ring for drive ring .....				



		EPDM	NBR	FPM	FEP
<b>Service kit for single shaft seal C/SiC</b>					
□	Service kit, C/SiC (SolidC-1) .....	9611922454	9611922455	9611922456	9611922457
□	Service kit, C/SiC (SolidC-2) .....	9611922471	9611922472	9611922473	9611922474
□	Service kit, C/SiC (SolidC-3) .....	9611922487	9611922488	9611922489	9611922490
□	Service kit, C/SiC (SolidC-4) .....	9611922503	9611922504	9611922505	9611922506
<b>Service kit for single shaft seal SiC/SiC</b>					
○	Service kit, SiC/SiC (Solid C1) .....	9611922811	9611922812	9611922813	9611922814
○	Service kit, SiC/SiC (Solid C2) .....	9611922819	9611922820	9611922821	9611922822
○	Service kit, SiC/SiC (Solid C3) .....	9611922827	9611922828	9611922829	9611922830
○	Service kit, SiC/SiC (Solid C4) .....	9611922835	9611922836	9611922837	9611922838
<b>Service kit for flushed shaft seal C/SiC</b>					
◆	Service kit, C/SiC (Solid C1) .....	9611922462	9611922463	9611922464	9611922465
◆	Service kit, C/SiC (Solid C2) .....	9611922479	9611922480	9611922481	9611922482
◆	Service kit, C/SiC (Solid C3) .....	9611922495	9611922496	9611922497	9611922498
◆	Service kit, C/SiC (Solid C4) .....	9611922511	9611922512	9611922513	9611922514
<b>Service kit for flushed shaft seal SiC/SiC</b>					
*	Service kit, SiC/SiC (Solid C1) .....	9611922815	9611922816	9611922817	9611922818
*	Service kit, SiC/SiC (Solid C2) .....	9611922823	9611922824	9611922825	9611922826
*	Service kit, SiC/SiC (Solid C3) .....	9611922831	9611922832	9611922833	9611922834
*	Service kit, SiC/SiC (Solid C4) .....	9611922839	9611922840	9611922841	9611922842

Parts marked with □◆○★❖◆■⊕ are included in the service kits.

Recommended spare parts: Service kits.

Conversion single to flushed shaft seal : Please order Flushed service kit + pos. 10 + 40 + 41 + 42  
(900625/4)

**How to contact Alfa Laval**

Contact details for all countries are continually updated on our website.

Please visit [www.alfalaval.com](http://www.alfalaval.com) to access the information directly.

© Alfa Laval Corporate AB

This document and its contents is owned by Alfa Laval Corporate AB and protected by laws governing intellectual property and thereto related rights. It is the responsibility of the user of this document to comply with all applicable intellectual property laws. Without limiting any rights related to this document, no part of this document may be copied, reproduced or transmitted in any form or by any means (electronic, mechanical, photocopying, recording, or otherwise), or for any purpose, without the expressed permission of Alfa Laval Corporate AB. Alfa Laval Corporate AB will enforce its rights related to this document to the fullest extent of the law, including the seeking of criminal prosecution.