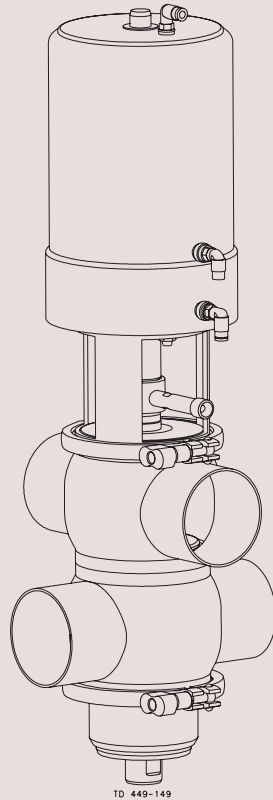
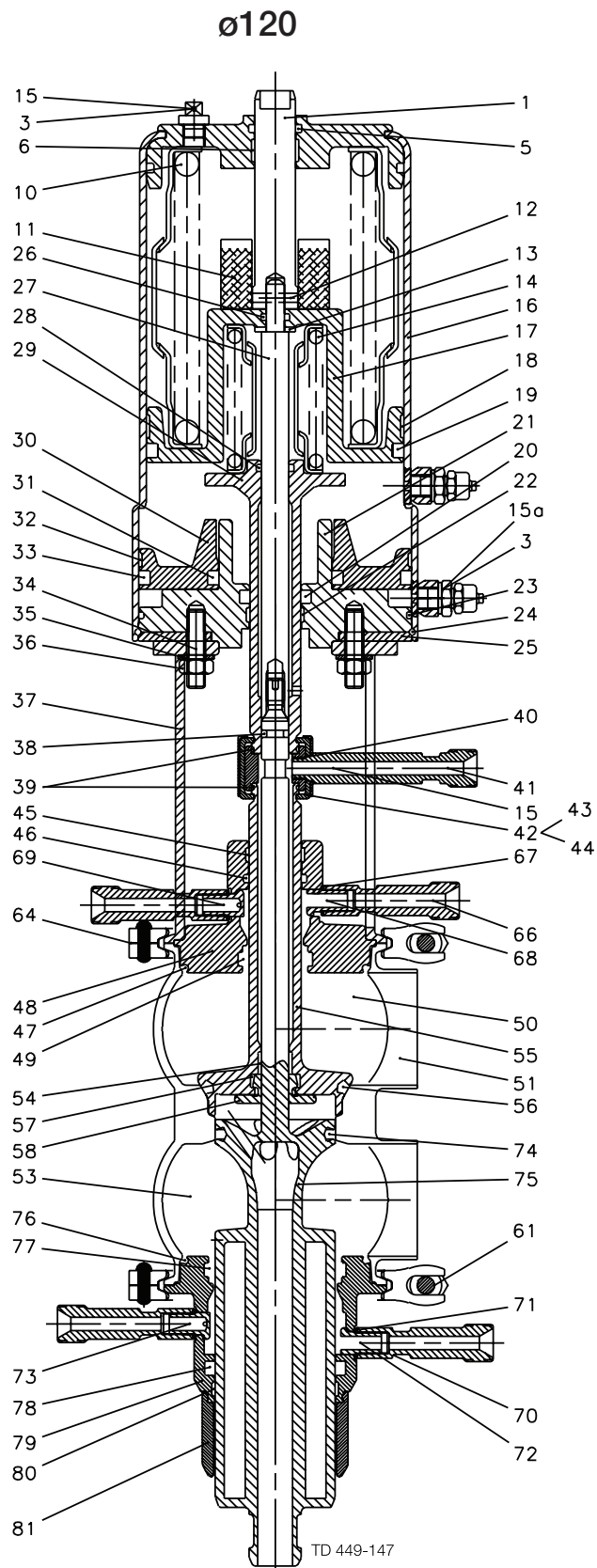




Spare Parts

Unique Sanitary Mixproof Valve

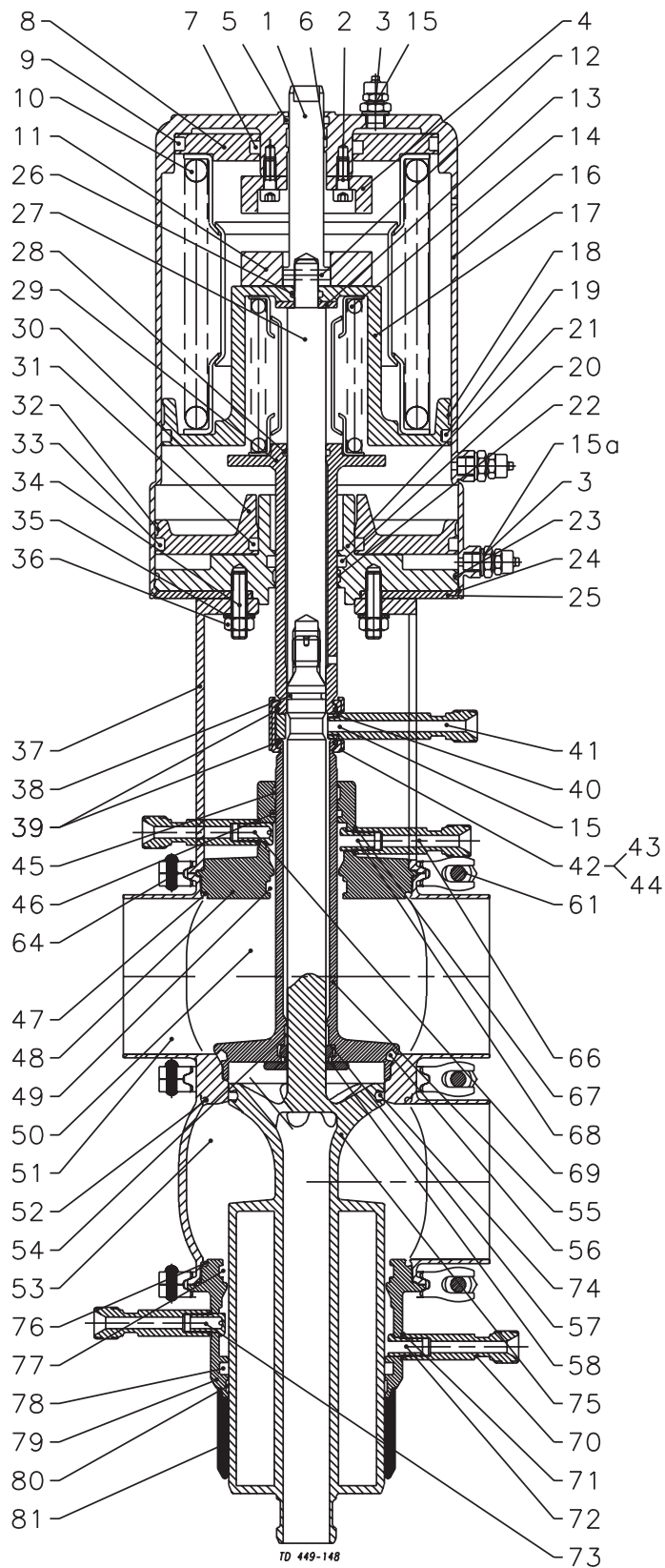




Wear Parts for Standard Valves

Pos.	Qty.	Denomination	1½" seat ø53.3	2" Sch. 5 2" seat ø53.3
38	1	O-ring, EPDM.....	9611-99-3555	9611-99-3555
46	1	O-ring, EPDM for plug set-up 1,3,5,7.....	9611-99-3655	9611-99-3653
	1	O-ring, EPDM for plug set-up 2,4,6,8.....	9611-99-3655	9611-99-3650
47	1	O-ring, EPDM.....	9611-99-3628	9611-99-3632
	1	O-ring, NBR.....	9611-99-3629	9611-99-3633
	1	O-ring, FPM.....	9611-99-3630	9611-99-3634
	1	O-ring, HNBR.....	9611-99-3631	9611-99-3635
49	1	Lip seal, EPDM for plug set-up 1,3,5,7,9,11,13,15.....	9613-0085-16	9613-0085-01
	1	Lip seal, NBR for plug set-up 1,3,5,7,9,11,13,15.....	9613-0085-17	9613-0085-02
	1	Lip seal, FPM for plug set-up 1,3,5,7,9,11,13,15.....	9613-0085-18	9613-0085-03
	1	Lip seal, HNBR for plug set-up 1,3,5,7,9,11,13,15.....	9613-0085-19	9613-0085-04
	1	Lip seal, EPDM for plug set-up 2,4,6,8,10,12,14,16.....	9613-0085-16	9613-0085-21
	1	Lip seal, NBR for plug set-up 2,4,6,8,10,12,14,16.....	9613-0085-17	9613-0085-22
	1	Lip seal, FPM for plug set-up 2,4,6,8,10,12,14,16.....	9613-0085-18	9613-0085-23
	1	Lip seal, HNBR for plug set-up 2,4,6,8,10,12,14,16.....	9613-0085-19	9613-0085-24
56	1	Seal ring, EPDM.....	9613-0951-06	9613-0951-06
	1	Seal ring, NBR.....	9613-0951-14	9613-0951-14
	1	Seal ring, FPM.....	9613-0951-05	9613-0951-05
	1	Seal ring, HNBR.....	9613-0951-04	9613-0951-04
57	1	Lip seal, EPDM.....	9613-0087-06	9613-0087-06
	1	Lip seal, NBR.....	9613-0087-07	9613-0087-07
	1	Lip seal, FPM.....	9613-0087-08	9613-0087-08
	1	Lip seal, HNBR.....	9613-0087-09	9613-0087-09
67	2	O-ring, EPDM.....	9611-99-3119	9611-99-3119
71	2	O-ring, EPDM.....	9611-99-3119	9611-99-3119
74	1	Seal ring, EPDM.....	9613-0952-06	9613-0952-06
	1	Seal ring, NBR.....	9613-0952-14	9613-0952-14
	1	Seal ring, FPM.....	9613-0952-05	9613-0952-05
	1	Seal ring, HNBR.....	9613-0952-04	9613-0952-04
76	1	O-ring, EPDM.....	9611-99-3628	9611-99-3632
	1	O-ring, NBR.....	9611-99-3629	9611-99-3633
	1	O-ring, FPM.....	9611-99-3630	9611-99-3634
	1	O-ring, HNBR.....	9611-99-3631	9611-99-3635
77	1	Lip seal, EPDM for plug set-up 1,2,7,8,9,10,15,16.....	9613-0085-16	9613-0085-01
	1	Lip seal, NBR for plug set-up 1,2,7,8,9,10,15,16.....	9613-0085-17	9613-0085-02
	1	Lip seal, FPM for plug set-up 1,2,7,8,9,10,15,16.....	9613-0085-18	9613-0085-03
	1	Lip seal, HNBR for plug set-up 1,2,7,8,9,10,15,16.....	9613-0085-19	9613-0085-04
	1	Lip seal, EPDM for plug set-up 3,4,5,6,11,12,13,14.....	9613-0085-16	9613-0085-21
	1	Lip seal, NBR for plug set-up 3,4,5,6,11,12,13,14.....	9613-0085-17	9613-0085-22
	1	Lip seal, FPM for plug set-up 3,4,5,6,11,12,13,14.....	9613-0085-18	9613-0085-23
	1	Lip seal, HNBR for plug set-up 3,4,5,6,11,12,13,14.....	9613-0085-19	9613-0085-24
78	1	O-ring, EPDM for plug set-up 7,8,15,16.....	9611-99-3655	9611-99-3653
	1	O-ring, EPDM for plug set-up 5,6,13,14.....	9611-99-3655	9611-99-3650
Extra parts if clamped valve body				
52	1	O-ring, EPDM.....	9611-99-3628	9611-99-3632
	1	O-ring, NBR.....	9611-99-3629	9611-99-3633
	1	O-ring, FPM.....	9611-99-3630	9611-99-3634
	1	O-ring, HNBR.....	9611-99-3631	9611-99-3635
Extra parts if SpiralClean Spindle/balancer				
39	2	O-ring, EPDM.....	9611-99-3492	9611-99-3492
40	1	O-ring, EPDM.....	9611-99-3119	9611-99-3119

ø157/ø186

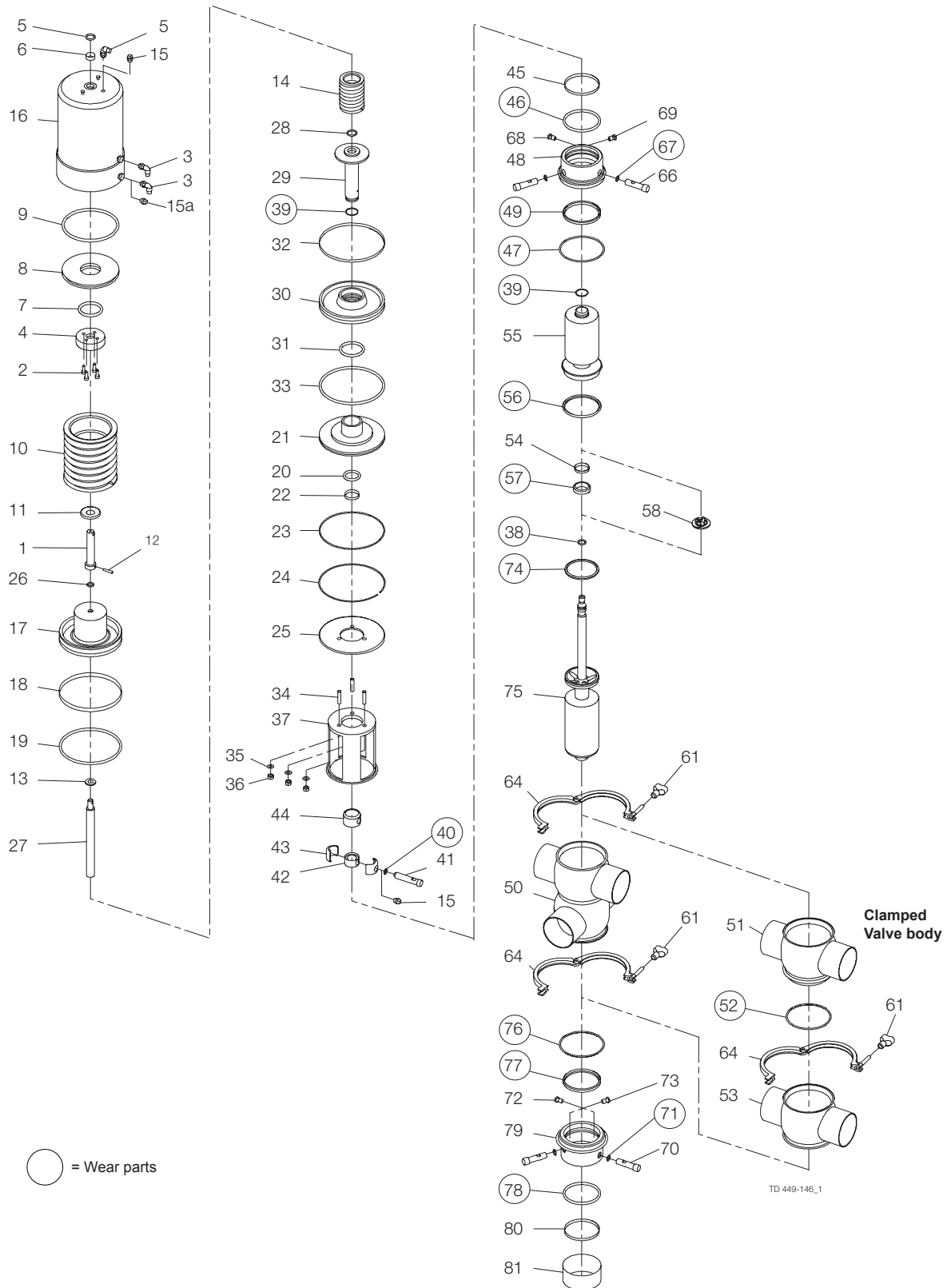


Wear Parts for Standard Valves

Pos.	Qty.	Denomination	2½" + 3"	②	①	Sch. 5 5"
			Sch. 5 3" seat ø81.3	4" Sch. 5 4" seat ø100.3	4" Sch. 5 4" seat ø115.3	Sch. 5 6" seat ø115.3
38	1	O-ring, EPDM.....	9611-99-3572	9611-99-3572	9611-99-3572	9611-99-3572
46	1	O-ring, EPDM for plug set-up 1,3,5,7.....	9611-99-3654	9611-99-3654	9611-99-3654	9611-99-3654
	1	O-ring, EPDM for plug set-up 2,4,6,8.....	9611-99-3651	9611-99-4407	9611-99-3652	9611-99-3652
47	1	O-ring, EPDM.....	9611-99-3636	9611-99-3640	9611-99-3640	9611-99-3644
	1	O-ring, NBR.....	9611-99-3637	9611-99-3641	9611-99-3641	9611-99-3645
	1	O-ring, FPM.....	9611-99-3638	9611-99-3642	9611-99-3642	9611-99-3646
	1	O-ring, HNBR.....	9611-99-3639	9611-99-3643	9611-99-3643	9611-99-3647
49	1	Lip seal, EPDM for plug set-up 1,3,5,7,9,11,13,15.....	9613-0085-11	9613-0085-11	9613-0085-11	9613-0085-11
	1	Lip seal, NBR for plug set-up 1,3,5,7,9,11,13,15.....	9613-0085-12	9613-0085-12	9613-0085-12	9613-0085-12
	1	Lip seal, FPM for plug set-up 1,3,5,7,9,11,13,15.....	9613-0085-13	9613-0085-13	9613-0085-13	9613-0085-13
	1	Lip seal, HNBR for plug set-up 1,3,5,7,9,11,13,15.....	9613-0085-14	9613-0085-14	9613-0085-14	9613-0085-14
	1	Lip seal, EPDM for plug set-up 2,4,6,8,10,12,14,16.....	9613-0085-26	9613-0085-48	9613-0085-31	9613-0085-31
	1	Lip seal, NBR for plug set-up 2,4,6,8,10,12,14,16.....	9613-0085-27	9613-0085-49	9613-0085-32	9613-0085-32
	1	Lip seal, FPM for plug set-up 2,4,6,8,10,12,14,16.....	9613-0085-28	9613-0085-50	9613-0085-33	9613-0085-33
	1	Lip seal, HNBR for plug set-up 2,4,6,8,10,12,14,16.....	9613-0085-29	9613-0085-51	9613-0085-34	9613-0085-34
56	1	Seal ring, EPDM.....	9613-0951-09	9613-0951-19	9613-0951-12	9613-0951-12
	1	Seal ring, NBR.....	9613-0951-15	9613-0951-20	9613-0951-16	9613-0951-16
	1	Seal ring, FPM.....	9613-0951-08	9613-0951-18	9613-0951-11	9613-0951-11
	1	Seal ring, HNBR.....	9613-0951-07	9613-0951-17	9613-0951-10	9613-0951-10
57	1	Lip seal, EPDM.....	9613-0087-11	9613-0087-11	9613-0087-11	9613-0087-11
	1	Lip seal, NBR.....	9613-0087-12	9613-0087-12	9613-0087-12	9613-0087-12
	1	Lip seal, FPM.....	9613-0087-13	9613-0087-13	9613-0087-13	9613-0087-13
	1	Lip seal, HNBR.....	9613-0087-14	9613-0087-14	9613-0087-14	9613-0087-14
67	2	O-ring, EPDM.....	9611-99-3119	9611-99-3119	9611-99-3119	9611-99-3119
71	2	O-ring, EPDM.....	9611-99-3119	9611-99-3119	9611-99-3119	9611-99-3119
74	1	Seal ring, EPDM.....	9613-0952-09	9613-0952-19	9613-0952-12	9613-0952-12
	1	Seal ring, NBR.....	9613-0952-15	9613-0952-20	9613-0952-16	9613-0952-16
	1	Seal ring, FPM.....	9613-0952-08	9613-0952-18	9613-0952-11	9613-0952-11
	1	Seal ring, HNBR.....	9613-0952-07	9613-0952-17	9613-0952-10	9613-0952-10
76	1	O-ring, EPDM.....	9611-99-3636	9611-99-3640	9611-99-3640	9611-99-3644
	1	O-ring, NBR.....	9611-99-3637	9611-99-3641	9611-99-3641	9611-99-3645
	1	O-ring, FPM.....	9611-99-3638	9611-99-3642	9611-99-3642	9611-99-3646
	1	O-ring, HNBR.....	9611-99-3639	9611-99-3643	9611-99-3643	9611-99-3647
77	1	Lip seal, EPDM for plug set-up 1,2,7,8,9,10,15,16.....	9613-0085-11	9613-0085-11	9613-0085-11	9613-0085-11
	1	Lip seal, NBR for plug set-up 1,2,7,8,9,10,15,16.....	9613-0085-12	9613-0085-12	9613-0085-12	9613-0085-12
	1	Lip seal, FPM for plug set-up 1,2,7,8,9,10,15,16.....	9613-0085-13	9613-0085-13	9613-0085-13	9613-0085-13
	1	Lip seal, HNBR for plug set-up 1,2,7,8,9,10,15,16.....	9613-0085-14	9613-0085-14	9613-0085-14	9613-0085-14
	1	Lip seal, EPDM for plug set-up 3,4,5,6,11,12,13,14.....	9613-0085-26	9613-0085-48	9613-0085-31	9613-0085-31
	1	Lip seal, NBR for plug set-up 3,4,5,6,11,12,13,14.....	9613-0085-27	9613-0085-49	9613-0085-32	9613-0085-32
	1	Lip seal, FPM for plug set-up 3,4,5,6,11,12,13,14.....	9613-0085-28	9613-0085-50	9613-0085-33	9613-0085-33
	1	Lip seal, HNBR for plug set-up 3,4,5,6,11,12,13,14.....	9613-0085-29	9613-0085-51	9613-0085-34	9613-0085-34
78	1	O-ring, EPDM for plug set-up 7,8,15,16.....	9611-99-3654	9611-99-3654	9611-99-3654	9611-99-3654
	1	O-ring, EPDM for plug set-up 5,6,13,14.....	9611-99-3651	9611-99-4407	9611-99-3652	9611-99-3652
Extra parts if clamped valve body						
52	1	O-ring, EPDM.....	9611-99-3636	9611-99-3640	9611-99-3640	9611-99-3644
	1	O-ring, NBR.....	9611-99-3637	9611-99-3641	9611-99-3641	9611-99-3645
	1	O-ring, FPM.....	9611-99-3638	9611-99-3642	9611-99-3642	9611-99-3646
	1	O-ring, HNBR.....	9611-99-3639	9611-99-3643	9611-99-3643	9611-99-3647
Extra parts if SpiralClean Spindle/balancer						
39	2	O-ring, EPDM.....	9611-99-3493	9611-99-3493	9611-99-3493	9611-99-3493
40	1	O-ring, EPDM.....	9611-99-3119	9611-99-3119	9611-99-3119	9611-99-3119

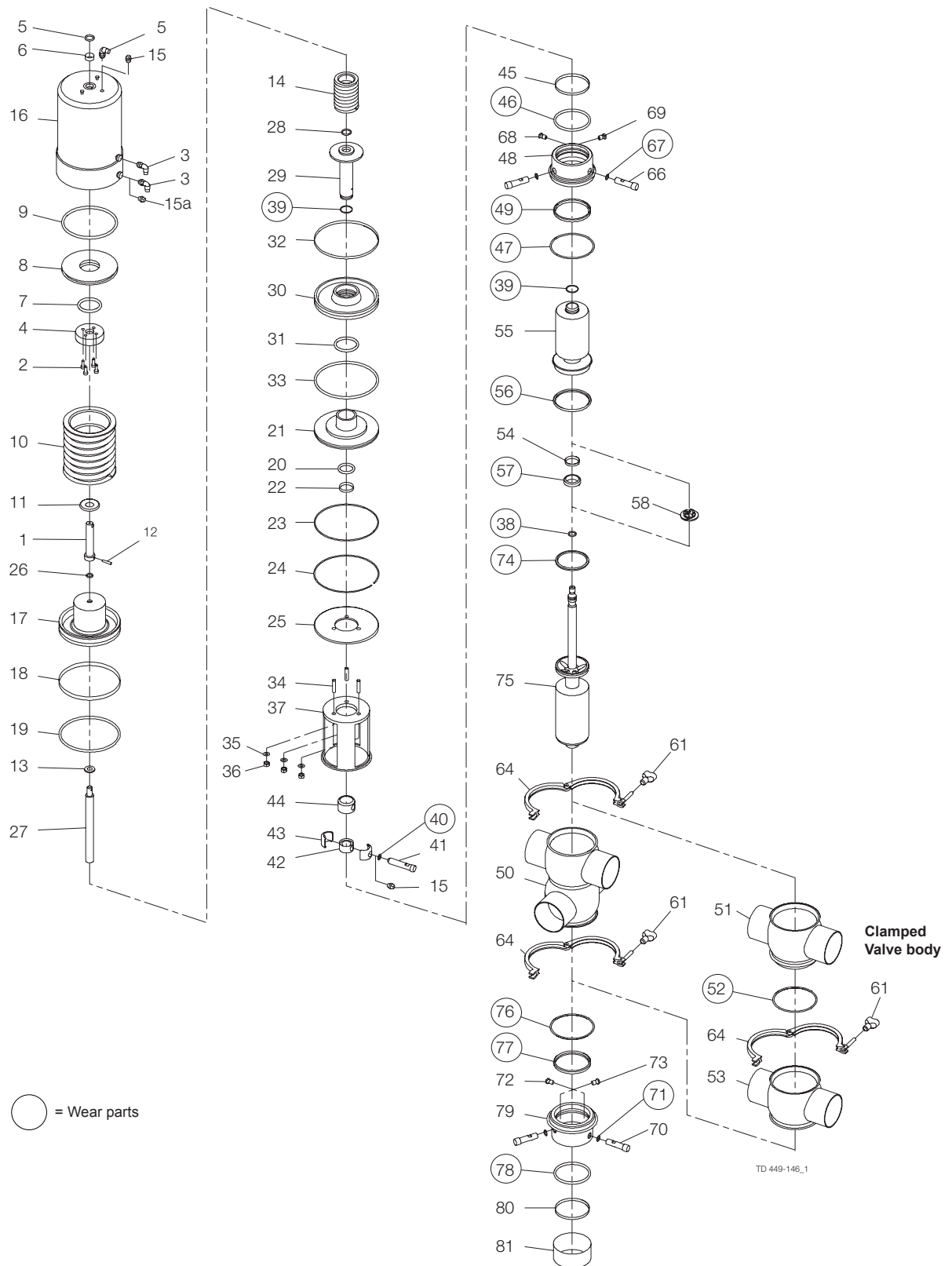
① Serial no. below 1030000 - manufactured before 1. October 2003

② Serial no. above 1030000 - manufactured after 1. October 2003



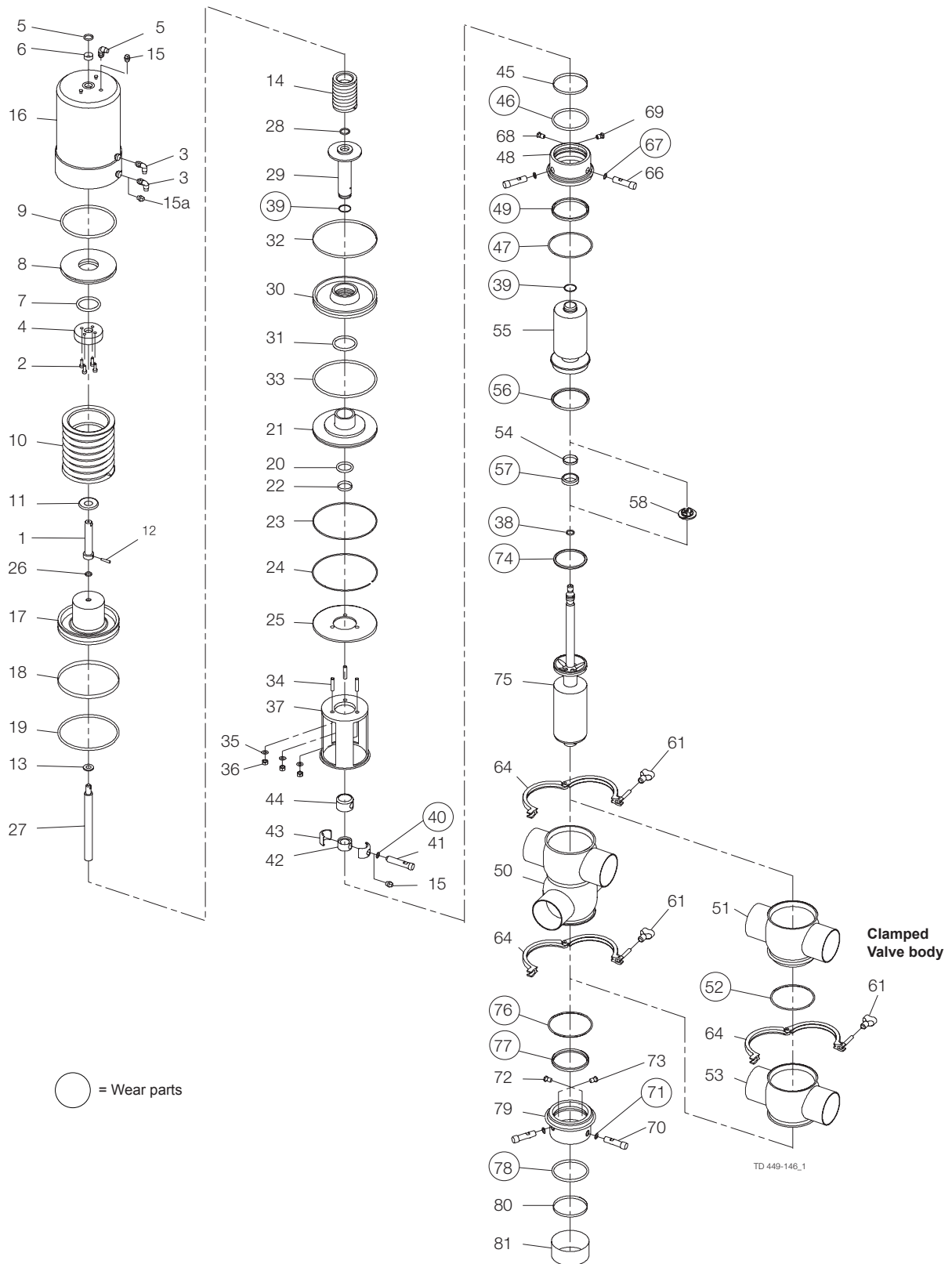
Parts for Standard Valves

Pos.	Qty.	Denomination	1½"	2"	2½" + 3"	2½" + 3"
			seat ø53.3	Sch. 5 2" seat ø53.3	Sch. 5 3" seat ø81.3	Sch. 5 3" seat ø81.3 unbalanced lower plug
1	1	Upper stem.....	9613-0101-02	9613-0101-02	9613-0074-01	9613-0074-02
2	4	Screw.....			9611-99-3342	9611-99-3342
3	1	Air fitting yellow.....	9611-99-4171	9611-99-4171	9611-99-4171	9611-99-4171
	1	Air fitting blue.....	9611-99-3780	9611-99-3780	9611-99-3780	9611-99-3780
	1	Air fitting red.....	9611-99-4172	9611-99-4172	9611-99-4172	9611-99-4172
4	1	Stop for upper piston.....			9613-0053-01	9613-0053-02
5	• 1	O-ring, NBR.....	9611-99-3499	9611-99-3499	9611-99-3499	9611-99-3499
6	1	Guide ring, Turcite.....	9613-0084-08	9613-0084-08	9613-0084-08	9613-0084-08
7	• 1	O-ring, NBR.....			9611-99-3514	9611-99-3514
8	1	Upper piston.....			9613-0056-01	9613-0056-02
9	• 1	O-ring, NBR.....			9611-99-3512	9611-99-3513
10	1	Spring assembly.....	9613-0125-01	9613-0125-01	9613-0075-01	9613-0256-02
11	1	Distance spacer.....	9613-0102-02	9613-0102-02		9613-0102-04
12	1	Pin.....	9611-99-4197	9611-99-4197	9611-99-4198	9611-99-4199
13	1	Washer.....	9611-99-3594	9611-99-3594	9611-99-3595	9611-99-3596
14	1	Spring assembly.....	9613-0131-01	9613-0131-01	9613-0095-02	9613-0095-02
15	1	Plug.....	9613-0806-01	9613-0806-01	9613-0806-01	9613-0806-01
15a	1	Plug.....	9611-99-3709	9611-99-3709	9611-99-3709	9611-99-3709
16	1	Cylinder (without 3A marking) blasted.....	9613-0126-05	9613-0126-05	9613-0051-05	9613-0150-09
	1	Cylinder (with 3A marking) blasted.....	9613-0126-03	9613-0126-03	9613-0051-03	9613-0150-05
	1	Cylinder (with 3A marking) polished.....	9613-0126-04	9613-0126-04	9613-0051-04	9613-0150-07
17	1	Main piston.....	9613-0132-01	9613-0132-01	9613-0057-01	9613-0159-01
18	• 1	Guide ring, Turcite.....	9613-0084-09	9613-0084-09	9613-0084-10	9613-0084-11
19	• 1	O-ring, NBR.....	9611-99-3505	9611-99-3505	9611-99-3507	9611-99-3509
20	• 1	O-ring, NBR.....	9611-99-3503	9611-99-3503	9611-99-3607	9611-99-3607
21	1	Bottom.....	9613-0140-01	9613-0140-01	9613-0054-01	9613-0168-01
22	• 1	Guide ring, Turcite.....	9613-0084-03	9613-0084-03	9613-0084-04	9613-0084-04
23	• 1	O-ring, NBR.....	9611-99-2228	9611-99-2228	9611-99-1489	22340675
24	1	Retaining ring.....	9613-0248-02	9613-0248-02	9613-0248-03	9613-0248-04
25	1	Cover disk.....	9613-0058-02	9613-0058-02	9613-0058-03	9613-0058-04
26	• 1	O-ring, NBR.....	9611-99-3528	9611-99-3528	9611-99-3495	9611-99-3530
27	1	Inner stem.....	9613-0106-02	9613-0106-02	9613-0073-01	9613-0073-01
28	• 1	O-ring.....	9611-99-3495	9611-99-3495	9611-99-0030	9611-99-0030
29	1	Piston rod.....	9613-0134-01	9613-0134-01	9613-0060-01	9613-0060-01
30	1	Lower piston.....	9613-0138-01	9613-0138-01	9613-0055-01	9613-0166-01
31	• 1	O-ring, NBR.....	42153	42153	42153	42153
32	• 1	Guide ring, Turcite.....	9613-0084-05	9613-0084-05	9613-0084-06	9613-0084-07
33	• 1	O-ring, NBR.....	22341275	22341275	9611-99-3508	9611-99-3510
34	3	Bolt.....	9611-99-3618	9611-99-3618	9611-99-3618	9611-99-3618
35	3	Washer.....	9611-99-3594	9611-99-3594	9611-99-3594	9611-99-3594
36	3	Nut.....	9611-99-0360	9611-99-0360	9611-99-0360	9611-99-0360
41	1	Flushing tube.....	31357-1017-2	31357-1017-2	31357-1017-2	31357-1017-2
42	1	Spindle liner.....	9613-0116-01	9613-0116-01	9613-0090-01	9613-0090-01
43	2	Clamp.....	9613-0118-01	9613-0118-01	9613-0092-01	9613-0092-01
44	1	Lock.....	9613-0117-01	9613-0117-01	9613-0091-01	9613-0091-01
		Actuator diameter	Ø120	Ø157	Ø186	
		Actuator type	3	4BS	4SS, 5BS, 5SS	
		Connection size*	1½"-2" Sch. 5 2**	2½"-3" Sch. 5 3**	4" Sch. 5 4"-6**	
	•	Actuator service kit, part no.....	9611-92-6414	9611-92-6415	9611-92-6416	



Parts for Standard Valves

Pos.	Qty.	Denomination	1½"	2"	2½" + 3"	2½" + 3"
			seat ø53.3	Sch. 5 2" seat ø53.3	Sch. 5 3" seat ø81.3	Sch. 5 3" seat ø81.3 unbalanced lower plug
45	1	Guide ring, PTFE Type 1,3,5,7,9,11,13,15.....	9613-0084-12	9613-0084-16	9613-0084-17	9613-0084-17
	1	Guide ring, PTFE Type 2,4,6,8,10,12,14,16.....		9613-0084-13	9613-0084-14	9613-0084-14
48	1	Upper sealing element Type 9,11,13,15 blasted.....	9613-0157-01	9613-0142-01	9613-0064-01	9613-0064-01
	1	Upper sealing element Type 10,12,14,16 blasted.....		9613-0142-02	9613-0064-02	9613-0064-02
	1	Upper sealing element Type 1,3,5,7 blasted.....	9613-0161-01	9613-0143-01	9613-0065-01	9613-0065-01
	1	Upper sealing element Type 2,4,6,8 blasted.....		9613-0491-01	9613-0492-01	9613-0492-01
	1	Upper sealing element Type 9,11,13,15 polished.....	9613-0157-02	9613-0142-03	9613-0064-03	9613-0064-03
	1	Upper sealing element Type 10,12,14,16 polished.....		9613-0142-04	9613-0064-04	9613-0064-04
	1	Upper sealing element Type 1,3,5,7 polished.....	9613-0161-02	9613-0143-03	9613-0065-03	9613-0065-03
	1	Upper sealing element Type 2,4,6,8 polished.....		9613-0491-02	9613-0492-02	9613-0492-02
54	1	Guide ring, PTFE.....	9613-0084-01	9613-0084-01	9613-0084-02	9613-0084-02
55	1	Upper plug Type 9,11,13,15.....	9613-0144-01	9613-0162-01	9613-0082-01	9613-0082-01
	1	Upper plug Type 1,3,5,7.....	9613-0144-02	9613-0162-02	9613-0082-02	9613-0082-02
	1	Upper plug Type 10,12,14,16.....		9613-0163-01	9613-0093-01	9613-0093-01
	1	Upper plug Type 2,4,6,8.....		9613-0163-02	9613-0093-02	9613-0093-02
58	1	Spray nozzle, PTFE.....	9613-0088-01	9613-0088-01	9613-0148-01	9613-0148-01
61	2	Wingnut.....	9612-5580-01	9612-5580-01	9612-5580-01	9612-5580-01
64	2	Clamp without nut.....	9613-0214-01	9613-0215-01	9613-0216-01	9613-0216-01
66	2	Flushing tube.....	9613-0079-01	9613-0079-02	9613-0079-03	9613-0079-03
68	1	Drain.....	9613-0080-01	9613-0080-01	9613-0080-01	9613-0080-01
69	1	Nozzle.....	9613-0080-02	9613-0080-02	9613-0080-02	9613-0080-02
70	2	Flushing tube.....	9613-0079-01	9613-0079-02	9613-0079-03	9613-0079-03
72	1	Drain.....	9613-0080-01	9613-0080-01	9613-0080-01	9613-0080-01
73	1	Nozzle.....	9613-0080-02	9613-0080-02	9613-0080-02	9613-0080-02
75	1	Lower plug Type 9,10.....	9613-0146-01	9613-0164-01		9613-0083-01
	1	Lower plug Type 15,16.....	9613-0146-02	9613-0164-02		9613-0083-02
	1	Lower plug Type 1,2.....	9613-0146-03	9613-0164-03		9613-0083-03
	1	Lower plug Type 7,8.....	9613-0146-04	9613-0164-04		9613-0083-04
	1	Lower plug Type 11,12.....		9613-0165-01	9613-0094-01	
	1	Lower plug Type 13,14.....		9613-0165-02	9613-0094-02	
	1	Lower plug Type 3,4.....		9613-0165-03	9613-0094-03	
	1	Lower plug Type 5,6.....		9613-0165-04	9613-0094-04	
79	1	Lower sealing element Type 1,2,9,10 blasted.....	9613-0237-01	9613-0239-01		9613-0241-01
	1	Lower sealing element Type 3,4,11,12 blasted.....		9613-0239-02	9613-0241-02	
	1	Lower sealing element Type 7,8,15,16 blasted.....	9613-0238-01	9613-0240-01		9613-0242-01
	1	Lower sealing element Type 5,6,13,14 blasted.....		9613-0495-01	9613-0496-01	
	1	Lower sealing element Type 1,2,9,10 polished.....	9613-0237-02	9613-0239-03		9613-0241-03
	1	Lower sealing element Type 3,4,11,12 polished.....		9613-0239-04	9613-0241-04	
	1	Lower sealing element Type 7,8,15,16 polished.....	9613-0238-02	9613-0240-03		9613-0242-03
	1	Lower sealing element Type 5,6,13,14 polished.....		9613-0495-02	9613-0496-02	
80	1	Guide ring, PTFE Type 1,2,7,8,9,10,15,16.....	9613-0084-12	9613-0084-16		9613-0084-17
	1	Guide ring, PTFE Type 3,4,5,6,11,12,13,14.....		9613-0084-13	9613-0084-14	
81	1	Cover Type 1,2,7,8,9,10,15,16.....	9613-0490-01	9613-0490-02		9613-0490-03
	1	Cover Type 3,4,5,6,11,12,13,14.....		9613-0490-05	9613-0490-06	
Extra parts if clamped valve body						
61	1	Wingnut.....	9612-5580-01	9612-5580-01	9612-5580-01	9612-5580-01
64	1	Clamp without nut.....	9613-0214-01	9613-0215-01	9613-0216-01	9613-0216-01

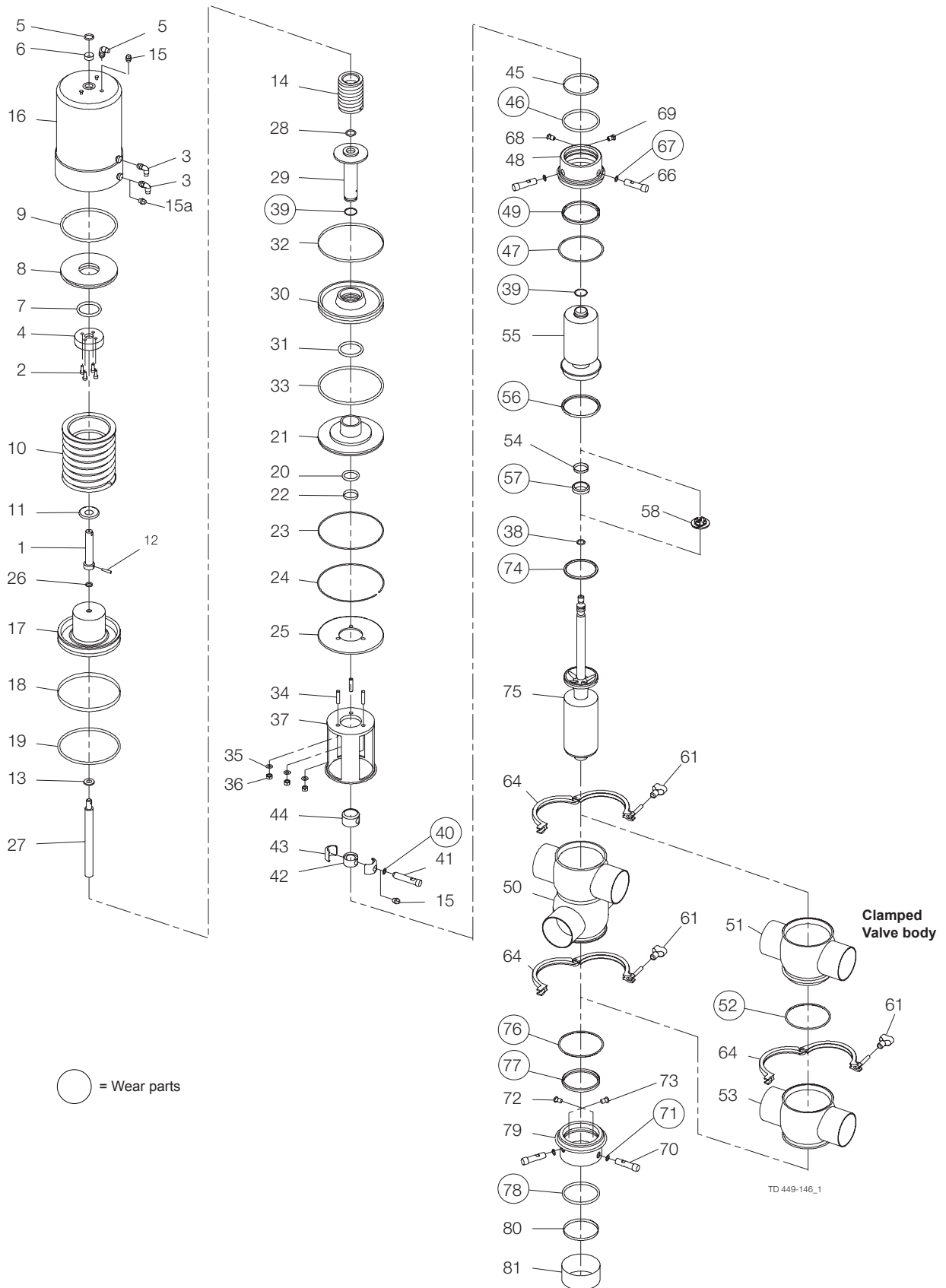


Parts for Standard Valves

Pos.	Qty.	Denomination	②	②	①	①	Sch. 5 5"	Sch. 5 5"
			Sch. 5 4"	Sch. 5 4"	Sch. 5 4"	Sch. 5 4"	Sch. 5 6"	Sch. 5 6"
			seat ø100.3	seat ø100.3 unbalanced lower plug	seat ø115.3	seat ø115.3 unbalanced lower plug	seat ø115.3	seat ø115.3 unbalanced lower plug
1	1	Upper stem.....	9613-0074-02	9613-0074-04	9613-0074-02	9613-0074-04	9613-0074-02	9613-0074-04
2	4	Screw.....	9611-99-3342	9611-99-3342	9611-99-3342	9611-99-3342	9611-99-3342	9611-99-3342
3	1	Air fitting yellow.....	9611-99-4171	9611-99-4171	9611-99-4171	9611-99-4171	9611-99-4171	9611-99-4171
	1	Air fitting blue.....	9611-99-3780	9611-99-3780	9611-99-3780	9611-99-3780	9611-99-3780	9611-99-3780
	1	Air fitting red.....	9611-99-4172	9611-99-4172	9611-99-4172	9611-99-4172	9611-99-4172	9611-99-4172
4	1	Stop for upper piston.....	9613-0053-02	9613-0053-02	9613-0053-02	9613-0053-02	9613-0053-02	9613-0053-02
5	• 1	O-ring, NBR.....	9611-99-3499	9611-99-3499	9611-99-3499	9611-99-3499	9611-99-3499	9611-99-3499
6	1	Guide ring, Turcite.....	9613-0084-08	9613-0084-08	9613-0084-08	9613-0084-08	9613-0084-08	9613-0084-08
7	• 1	O-ring, NBR.....	9611-99-3514	9611-99-3514	9611-99-3514	9611-99-3514	9611-99-3514	9611-99-3514
8	1	Upper piston.....	9613-0056-02	9613-0056-02	9613-0056-02	9613-0056-02	9613-0056-02	9613-0056-02
9	• 1	O-ring, NBR.....	9611-99-3513	9611-99-3513	9611-99-3513	9611-99-3513	9611-99-3513	9611-99-3513
10	1	Spring assembly.....	9613-0256-03	9613-0256-01	9613-0256-03	9613-0256-01	9613-0256-03	9613-0256-01
11	1	Distance spacer.....		9613-0102-07		9613-0102-07		9613-0102-07
12	1	Pin.....	9611-99-4199	9611-99-4199	9611-99-4199	9611-99-4199	9611-99-4199	9611-99-4199
13	1	Washer.....	9611-99-3596	9611-99-3596	9611-99-3596	9611-99-3596	9611-99-3596	9611-99-3596
14	1	Spring assembly.....	9613-0095-02	9613-0095-02	9613-0095-02	9613-0095-02	9613-0095-02	9613-0095-02
15	1	Plug.....	9613-0806-01	9613-0806-01	9613-0806-01	9613-0806-01	9613-0806-01	9613-0806-01
15a	1	Plug.....	9611-99-3709	9611-99-3709	9611-99-3709	9611-99-3709	9611-99-3709	9611-99-3709
16	1	Cylinder (without 3A marking) blasted.....	9613-0150-09	9613-0150-10	9613-0150-09	9613-0150-10	9613-0150-09	9613-0150-10
	1	Cylinder (with 3A marking) blasted.....	9613-0150-05	9613-0150-06	9613-0150-05	9613-0150-06	9613-0150-05	9613-0150-06
	1	Cylinder (with 3A marking) polished.....	9613-0150-07	9613-0150-08	9613-0150-07	9613-0150-08	9613-0150-07	9613-0150-08
17	1	Main piston.....	9613-0159-01	9613-0159-01	9613-0159-01	9613-0159-01	9613-0159-01	9613-0159-01
18	• 1	Guide ring, Turcite.....	9613-0084-11	9613-0084-11	9613-0084-11	9613-0084-11	9613-0084-11	9613-0084-11
19	• 1	O-ring, NBR.....	9611-99-3509	9611-99-3509	9611-99-3509	9611-99-3509	9611-99-3509	9611-99-3509
20	• 1	O-ring, NBR.....	9611-99-3607	9611-99-3607	9611-99-3607	9611-99-3607	9611-99-3607	9611-99-3607
21	1	Bottom.....	9613-0168-01	9613-0168-01	9613-0168-01	9613-0168-01	9613-0168-01	9613-0168-01
22	• 1	Guide ring, Turcite.....	9613-0084-04	9613-0084-04	9613-0084-04	9613-0084-04	9613-0084-04	9613-0084-04
23	• 1	O-ring, NBR.....	22340675	22340675	22340675	22340675	22340675	22340675
24	1	Retaining ring.....	9613-0248-04	9613-0248-04	9613-0248-04	9613-0248-04	9613-0248-04	9613-0248-04
25	1	Cover disk.....	9613-0058-04	9613-0058-04	9613-0058-04	9613-0058-04	9613-0058-04	9613-0058-04
26	• 1	O-ring, NBR.....	9611-99-3530	9611-99-3530	9611-99-3530	9611-99-3530	9611-99-3530	9611-99-3530
27	1	Inner stem.....	9613-0073-02	9613-0073-02	9613-0073-02	9613-0073-02	9613-0073-02	9613-0073-02
28	• 1	O-ring.....	9611-99-0030	9611-99-0030	9611-99-0030	9611-99-0030	9611-99-0030	9611-99-0030
29	1	Piston rod.....	9613-0060-02	9613-0060-02	9613-0060-02	9613-0060-02	9613-0060-02	9613-0060-02
30	1	Lower piston.....	9613-0166-01	9613-0166-01	9613-0166-01	9613-0166-01	9613-0166-01	9613-0166-01
31	• 1	O-ring, NBR.....	42153	42153	42153	42153	42153	42153
32	• 1	Guide ring, Turcite.....	9613-0084-07	9613-0084-07	9613-0084-07	9613-0084-07	9613-0084-07	9613-0084-07
33	• 1	O-ring, NBR.....	9611-99-3510	9611-99-3510	9611-99-3510	9611-99-3510	9611-99-3510	9611-99-3510
34	3	Bolt.....	9611-99-3618	9611-99-3618	9611-99-3618	9611-99-3618	9611-99-3618	9611-99-3618
35	3	Washer.....	9611-99-3594	9611-99-3594	9611-99-3594	9611-99-3594	9611-99-3594	9611-99-3594
36	3	Nut.....	9611-99-0360	9611-99-0360	9611-99-0360	9611-99-0360	9611-99-0360	9611-99-0360
41	1	Flushing tube.....	31357-1017-2	31357-1017-2	31357-1017-2	31357-1017-2	31357-1017-2	31357-1017-2
42	1	Spindle liner.....	9613-0090-01	9613-0090-01	9613-0090-01	9613-0090-01	9613-0090-01	9613-0090-01
43	2	Clamp.....	9613-0092-01	9613-0092-01	9613-0092-01	9613-0092-01	9613-0092-01	9613-0092-01
44	1	Lock.....	9613-0091-01	9613-0091-01	9613-0091-01	9613-0091-01	9613-0091-01	9613-0091-01
		Actuator diameter	Ø120	Ø157	Ø186			
		Actuator type	3	4BS	4SS, 5BS, 5SS			
		Connection size*	1½"-2"	2½"-3"	4"			
			Sch. 5 2**	Sch. 5 3**	Sch. 5 4"-6**			
	•	Actuator service kit, part no.....	9611-92-6414	9611-92-6415	9611-92-6416			

① Serial no. below 1030000 - manufactured before 1. October 2003

② Serial no. above 1030000 - manufactured after 1. October 2003



TD 449-146_1

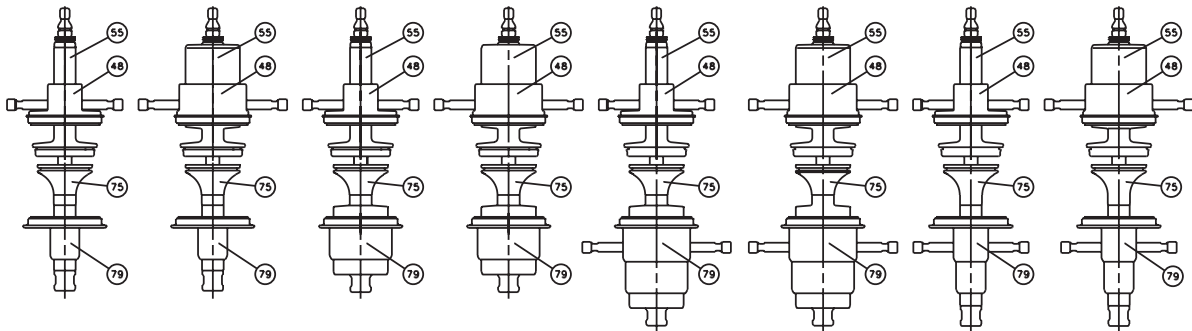
Parts for Standard Valves

Pos.	Qty.	Denomination	②	②	①	①	Sch. 5 5"	Sch. 5 5"
			4" Sch. 5 4" seat ϕ 100.3	4" Sch. 5 4" seat ϕ 100.3 unbalanced lower plug	4" Sch. 5 4" seat ϕ 115.3	4" Sch. 5 4" seat ϕ 115.3 unbalanced lower plug	Sch. 5 6"	Sch. 5 6" seat ϕ 115.3 unbalanced lower plug
45	1	Guide ring, PTFE Type 1,3,5,7,9,11,13,15.....	9613-0084-17	9613-0084-17	9613-0084-17	9613-0084-17	9613-0084-17	9613-0084-17
	1	Guide ring, PTFE Type 2,4,6,8,10,12,14,16.....	9613-0084-20	9613-0084-20	9613-0084-15	9613-0084-15	9613-0084-15	9613-0084-15
48	1	Upper sealing element Type 9,11,13,15 blasted....	9613-0188-01	9613-0188-01	9613-0188-01	9613-0188-01	9613-0170-01	9613-0170-01
	1	Upper sealing element Type 10,12,14,16 blasted..	9613-0660-01	9613-0660-01	9613-0188-02	9613-0188-02	9613-0170-02	9613-0170-02
	1	Upper sealing element Type 1,3,5,7 blasted.....	9613-0189-01	9613-0189-01	9613-0189-01	9613-0189-01	9613-0171-01	9613-0171-01
	1	Upper sealing element Type 2,4,6,8 blasted.....	9613-0659-01	9613-0659-01	9613-0493-01	9613-0493-01	9613-0494-01	9613-0494-01
	1	Upper sealing element Type 9,11,13,15 polished..	9613-0188-03	9613-0188-03	9613-0188-03	9613-0188-03	9613-0170-03	9613-0170-03
	1	Upper sealing element Type 10,12,14,16 polished..	9613-0660-02	9613-0660-02	9613-0188-04	9613-0188-04	9613-0170-04	9613-0170-04
	1	Upper sealing element Type 1,3,5,7 polished.....	9613-0189-03	9613-0189-03	9613-0189-03	9613-0189-03	9613-0171-03	9613-0171-03
	1	Upper sealing element Type 2,4,6,8 polished.....	9613-0659-02	9613-0659-02	9613-0493-02	9613-0493-02	9613-0494-02	9613-0494-02
54	1	Guide ring, PTFE.....	9613-0084-02	9613-0084-02	9613-0084-02	9613-0084-02	9613-0084-02	9613-0084-02
55	1	Upper plug Type 9,11,13,15.....	9613-0914-01	9613-0914-01	9613-0172-01	9613-0172-01	9613-0172-03	9613-0172-03
	1	Upper plug Type 1,3,5,7.....	9613-0914-02	9613-0914-02	9613-0172-02	9613-0172-02	9613-0172-04	9613-0172-04
	1	Upper plug Type 10,12,14,16.....	9613-0915-01	9613-0915-01	9613-0173-01	9613-0173-01	9613-0173-03	9613-0173-03
	1	Upper plug Type 2,4,6,8.....	9613-0915-02	9613-0915-02	9613-0173-02	9613-0173-02	9613-0173-04	9613-0173-04
58	1	Spray nozzle, PTFE.....	9613-0148-01	9613-0148-01	9613-0148-01	9613-0148-01	9613-0148-01	9613-0148-01
61	2	Wingnut.....	9612-5580-01	9612-5580-01	9612-5580-01	9612-5580-01	9612-5580-01	9612-5580-01
64	2	Clamp without nut.....	9613-0217-01	9613-0217-01	9613-0217-01	9613-0217-01	9613-0218-01	9613-0218-01
66	2	Flushing tube.....	9613-0079-04	9613-0079-04	9613-0079-04	9613-0079-04	9613-0079-05	9613-0079-05
68	1	Drain.....	9613-0080-01	9613-0080-01	9613-0080-01	9613-0080-01	9613-0080-01	9613-0080-01
69	1	Nozzle.....	9613-0080-02	9613-0080-02	9613-0080-02	9613-0080-02	9613-0080-02	9613-0080-02
70	2	Flushing tube.....	9613-0079-04	9613-0079-04	9613-0079-04	9613-0079-04	9613-0079-05	9613-0079-05
72	1	Drain.....	9613-0080-01	9613-0080-01	9613-0080-01	9613-0080-01	9613-0080-01	9613-0080-01
73	1	Nozzle.....	9613-0080-02	9613-0080-02	9613-0080-02	9613-0080-02	9613-0080-02	9613-0080-02
75	1	Lower plug Type 9,10.....		9613-0910-01		9613-0174-01		9613-0174-03
	1	Lower plug Type 15,16.....		9613-0910-02		9613-0174-02		9613-0174-04
	1	Lower plug Type 1,2.....		9613-0910-03		9613-0174-05		9613-0174-07
	1	Lower plug Type 7,8.....		9613-0910-04		9613-0174-06		9613-0174-08
	1	Lower plug Type 11,12.....	9613-0911-01		9613-0175-01		9613-0175-03	
	1	Lower plug Type 13,14.....	9613-0911-02		9613-0175-02		9613-0175-04	
	1	Lower plug Type 3,4.....	9613-0911-03		9613-0175-05		9613-0175-07	
	1	Lower plug Type 5,6.....	9613-0911-04		9613-0175-06		9613-0175-08	
79	1	Lower sealing element Type 1,2,9,10 blasted.....		9613-0243-01		9613-0243-01		9613-0245-01
	1	Lower sealing element Type 3,4,11,12 blasted.....	9613-0662-01		9613-0243-02		9613-0245-02	
	1	Lower sealing element Type 7,8,15,16 blasted.....		9613-0244-01		9613-0244-01		9613-0246-01
	1	Lower sealing element Type 5,6,13,14 blasted.....	9613-0661-01		9613-0497-01		9613-0498-01	
	1	Lower sealing element Type 1,2,9,10 polished.....		9613-0243-03		9613-0243-03		9613-0245-03
	1	Lower sealing element Type 3,4,11,12 polished.....	9613-0662-02		9613-0243-04		9613-0245-04	
	1	Lower sealing element Type 7,8,15,16 polished....		9613-0244-03		9613-0244-03		9613-0246-03
	1	Lower sealing element Type 5,6,13,14 polished....	9613-0661-02		9613-0497-02		9613-0498-02	
80	1	Guide ring, PTFE Type 1,2,7,8,9,10,15,16.....		9613-0084-17		9613-0084-17		9613-0084-17
	1	Guide ring, PTFE Type 3,4,5,6,11,12,13,14.....	9613-0084-20		9613-0084-15		9613-0084-15	
81	1	Cover Type 1,2,7,8,9,10,15,16.....		9613-0490-04		9613-0490-04		9613-0490-04
	1	Cover Type 3,4,5,6,11,12,13,14.....	9613-0490-15		9613-0490-07		9613-0490-07	
Extra parts if clamped valve body								
61	1	Wingnut.....	9612-5580-01	9612-5580-01	9612-5580-01	9612-5580-01	9612-5580-01	9612-5580-01
64	1	Clamp without nut.....	9613-0217-01	9613-0217-01	9613-0217-01	9613-0217-01	9613-0218-01	9613-0218-01

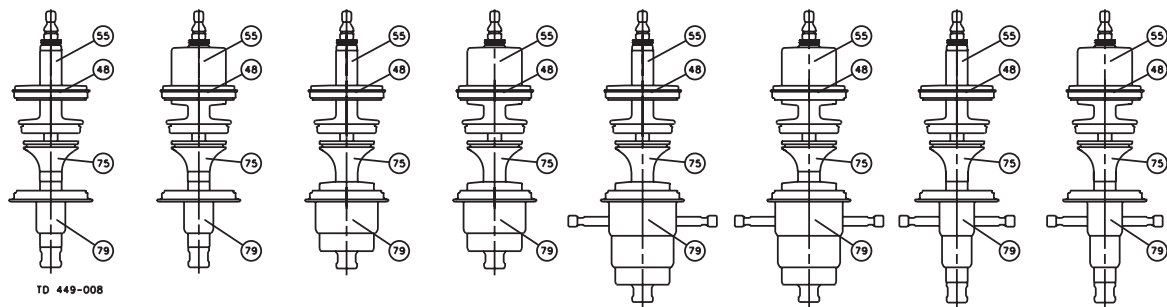
① Serial no. below 1030000 - manufactured before 1. October 2003

② Serial no. above 1030000 - manufactured after 1. October 2003

Plug Set-up 1 Plug Set-up 2 Plug Set-up 3 Plug Set-up 4 Plug Set-up 5 Plug Set-up 6 Plug Set-up 7 Plug Set-up 8



Plug Set-up 9 Plug Set-up 10 Plug Set-up 11 Plug Set-up 12 Plug Set-up 13 Plug Set-up 14 Plug Set-up 15 Plug Set-up 16



TD 449-008

1. Find your plug/sealings element set-up
2. Find the right connection between type and Pos. no. in the table and you have the part no.

An Example:

1. Size 3", Plug set-up type 5
2. Pos. no. 55/type 5 has the part no. 9613-0082-02

Plug set-up 9 for Basic

Plug set-up 11 for Seat-Clean

Plug set-up 6 for High Clean/Ultra Clean

Complete actuator

	ISO (DN/OD)	Sch. 5	Actuator type Dim. øD x L	3 4.72" x 9.06"	4BS ¹ 6.18" x 9.92"	4SS ² 7.32" x 11.06"	5BS ¹ 7.32" x 11.06"	5SS ² 7.32" x 14.92"
Blasted	38 51	2"	No seatlift	STD	OP	OP**		
			Upper seatlift	9613-0554-25	9613-0555-37	9613-0556-85		
			Lower seatlift	9613-0554-26	9613-0555-38	9613-0556-86		
			Both seatlift	9613-0554-27 9613-0554-28	9613-0555-39 9613-0555-40	9613-0556-87 9613-0556-88		
	63.5 76.1	3"	No seatlift	OP	STD	STD**	OP	OP
			Upper seatlift	9613-0554-29	9613-0555-41	9613-0556-89	9613-0556-97	9613-0837-06
			Lower seatlift	9613-0554-30	9613-0555-42	9613-0556-90	9613-0556-98	9613-0837-07
			Both seatlift	9613-0554-31 9613-0554-32	9613-0555-43 9613-0555-44	9613-0556-91 9613-0556-92	9613-0556-99 9613-0837-01	9613-0837-08 9613-0837-09
	101.6	4" 5" 6"	No seatlift		OP	OP	STD	STD*
Upper seatlift				9613-0555-45	9613-0556-93	9613-0837-02	9613-0837-10	
Lower seatlift				9613-0555-46	9613-0556-94	9613-0837-03	9613-0837-11	
Both seatlift				9613-0555-47 9613-0555-48	9613-0556-95 9613-0556-96	9613-0837-04 9613-0837-05	9613-0837-12 9613-0837-13	
Polished	38 51	2"	No seatlift	STD	OP	OP**		
			Upper seatlift	9613-0554-33	9613-0555-49	9613-0837-14		
			Lower seatlift	9613-0554-34	9613-0555-50	9613-0837-15		
			Both seatlift	9613-0554-35 9613-0554-36	9613-0555-51 9613-0555-52	9613-0837-16 9613-0837-17		
	63.5 76.1	3"	No seatlift	OP	STD	STD**	OP	OP
			Upper seatlift	9613-0554-37	9613-0555-53	9613-0837-18	9613-0837-26	9613-0837-34
			Lower seatlift	9613-0554-38	9613-0555-54	9613-0837-19	9613-0837-27	9613-0837-35
			Both seatlift	9613-0554-39 9613-0554-40	9613-0555-55 9613-0555-56	9613-0837-20 9613-0837-21	9613-0837-28 9613-0837-29	9613-0837-36 9613-0837-37
	101.6	4" 5" 6"	No seatlift		OP	OP	STD	STD*
Upper seatlift				9613-0555-57	9613-0837-22	9613-0837-30	9613-0837-38	
Lower seatlift				9613-0555-58	9613-0837-23	9613-0837-31	9613-0837-39	
Both seatlift				9613-0555-59 9613-0555-60	9613-0837-24 9613-0837-25	9613-0837-32 9613-0837-33	9613-0837-40 9613-0837-41	

STD: Normal size of actuator

STD*: Normal size of actuator if lower plug is UNBALANCED

OP: Alternative size of actuator (NB: For choice and performance of optional actuators, please contact Alfa Laval or refer to the CAS Configurator)

OP**: Only applied for sizes ISO 51 and 2"

BS¹: Basic spring

SS²: Strong spring

Other actuator configurations available, please contact Alfa Laval or refer to the CAS configurator.

Actuator

Configurator Code (ordering leaflet)						STD Operating pressure for SeatClean, High Clean and Ultra Clean at 87 psi air pressure	STD/STD* Operating pressure for Basic at 87 psi air pressure
	2	3	4	5	6		
Actuator Type	3	4BS ¹	4SS ²	5BS ¹	5SS ²		
Actuator dimensions øD x L	4.72"x 9.06"	6.18"x 9.92"	7.32"x 11.06"	7.32"x 11.06"	7.32"x 14.92"		
Connection Size ISO (DN/OD) Sch. 5							
38 1½"	STD	OP				145 psi	87 psi
51 2" 2"	STD	OP	OP			145 psi	87 psi
63.5 2½"	OP	STD	STD*	OP	OP	145 psi	87 psi
76.1 3" 3"	OP	STD	STD*	OP	OP	145 psi	87 psi
101.6 4" 4"		OP	OP	STD	STD*	145 psi	87 psi
		OP	OP	STD	STD* 116 psi	87 psi	
		OP	OP	STD	STD* 116 psi	87psi	

STD: Normal size of actuator

STD*: Normal size of actuator if lower plug is UNBALANCED

OP: Alternative size of actuator (NB: For choice and performance of optional actuators, please contact Alfa Laval or refer to the CAS Configurator)

BS¹: Basic spring

SS²: Strong spring

Radial seat diameter		
ISO (DN/OD)	Sch. 5	Seat
38 1½"		2.10"
51 2" 2"		2.10"
63.5 2½"		3.20"
76.1 3" 3"		3.20"
101.6 4" 4"		3.95"
	5"	4.54"
	6"	4.54"

Parts for Standard Valves

Pos.	Qty.	Denomination	1½"	2"	Sch. 5 2"	2½"	3"	Sch. 5 3"
			seat ø53.3	seat ø53.3	seat ø53.3	seat ø81.3	seat ø81.3	seat ø81.3
37	1	Intermediate piece Plug set-up 9-16 blasted	9613-0156-01	9613-0190-01	9613-0190-03	9613-0191-01	9613-0191-03	9613-0191-05
	1	Intermediate piece Plug set-up 1-8 blasted.....	9613-0156-03	9613-0190-04	9613-0190-06	9613-0191-06	9613-0191-08	9613-0191-10
	1	Intermediate piece Plug set-up 9-16 polished.....	9613-0156-05	9613-0190-07	9613-0190-09	9613-0191-11	9613-0191-13	9613-0191-15
	1	Intermediate piece Plug set-up 1-8 polished.....	9613-0156-07	9613-0190-10	9613-0190-12	9613-0191-16	9613-0191-18	9613-0191-20
50	1	Valve body 11-00.....	9613-0571-01	9613-0572-01	9613-0575-01	9613-0573-01	9613-0574-01	9613-0575-11
	1	Valve body 12-00.....	9613-0571-05	9613-0572-05	9613-0575-05	9613-0573-05	9613-0574-05	9613-0575-15
	1	Valve body 21-00.....	9613-0571-07	9613-0572-07	9613-0575-07	9613-0573-07	9613-0574-07	9613-0575-17
	1	Valve body 22-00.....	9613-0571-09	9613-0572-09	9613-0575-09	9613-0573-09	9613-0574-09	9613-0575-19
50 ¹⁾	1	Valve body 11-90.....	9613-0571-02	9613-0572-02	9613-0575-02	9613-0573-02	9613-0574-02	9613-0575-12
	1	Valve body 12-90.....	9613-0571-06	9613-0572-06	9613-0575-06	9613-0573-06	9613-0574-06	9613-0575-16
	1	Valve body 21-90.....	9613-0571-08	9613-0572-08	9613-0575-08	9613-0573-08	9613-0574-08	9613-0575-18
	1	Valve body 22-90.....	9613-0571-10	9613-0572-10	9613-0575-10	9613-0573-10	9613-0574-10	9613-0575-20
	1	Valve body 11-180.....	9613-0571-03	9613-0572-03	9613-0575-03	9613-0573-03	9613-0574-03	9613-0575-13
	1	Valve body 11-270.....	9613-0571-04	9613-0572-04	9613-0575-04	9613-0573-04	9613-0574-04	9613-0575-14
50	1	Valve body 11-00.....	9613-0571-21	9613-0572-21	9613-0575-21	9613-0573-21	9613-0574-21	9613-0575-31
	1	Valve body 12-00.....	9613-0571-25	9613-0572-25	9613-0575-25	9613-0573-25	9613-0574-25	9613-0575-35
	1	Valve body 21-00.....	9613-0571-27	9613-0572-27	9613-0575-27	9613-0573-27	9613-0574-27	9613-0575-37
	1	Valve body 22-00.....	9613-0571-29	9613-0572-29	9613-0575-29	9613-0573-29	9613-0574-29	9613-0575-39
50 ²⁾	1	Valve body 11-90.....	9613-0571-22	9613-0572-22	9613-0575-22	9613-0573-22	9613-0574-22	9613-0575-32
	1	Valve body 12-90.....	9613-0571-26	9613-0572-26	9613-0575-26	9613-0573-26	9613-0574-26	9613-0575-36
	1	Valve body 21-90.....	9613-0571-28	9613-0572-28	9613-0575-28	9613-0573-28	9613-0574-28	9613-0575-38
	1	Valve body 22-90.....	9613-0571-30	9613-0572-30	9613-0575-30	9613-0573-30	9613-0574-30	9613-0575-40
	1	Valve body 11-180.....	9613-0571-23	9613-0572-23	9613-0575-23	9613-0573-23	9613-0574-23	9613-0575-33
	1	Valve body 11-270.....	9613-0571-24	9613-0572-24	9613-0575-24	9613-0573-24	9613-0574-24	9613-0575-34
50	1	Valve body 11-00.....	9613-0571-41	9613-0572-41	9613-0575-41	9613-0573-41	9613-0574-41	9613-0575-51
	1	Valve body 12-00.....	9613-0571-45	9613-0572-45	9613-0575-45	9613-0573-45	9613-0574-45	9613-0575-55
	1	Valve body 21-00.....	9613-0571-47	9613-0572-47	9613-0575-47	9613-0573-47	9613-0574-47	9613-0575-57
	1	Valve body 22-00.....	9613-0571-49	9613-0572-49	9613-0575-49	9613-0573-49	9613-0574-49	9613-0575-59
50 ³⁾	1	Valve body 11-90.....	9613-0571-42	9613-0572-42	9613-0575-42	9613-0573-42	9613-0574-42	9613-0575-52
	1	Valve body 12-90.....	9613-0571-46	9613-0572-46	9613-0575-46	9613-0573-46	9613-0574-46	9613-0575-56
	1	Valve body 21-90.....	9613-0571-48	9613-0572-48	9613-0575-48	9613-0573-48	9613-0574-48	9613-0575-58
	1	Valve body 22-90.....	9613-0571-50	9613-0572-50	9613-0575-50	9613-0573-50	9613-0574-50	9613-0575-60
	1	Valve body 11-180.....	9613-0571-43	9613-0572-43	9613-0575-43	9613-0573-43	9613-0574-43	9613-0575-53
	1	Valve body 11-270.....	9613-0571-44	9613-0572-44	9613-0575-44	9613-0573-44	9613-0574-44	9613-0575-54

Clamped valve body

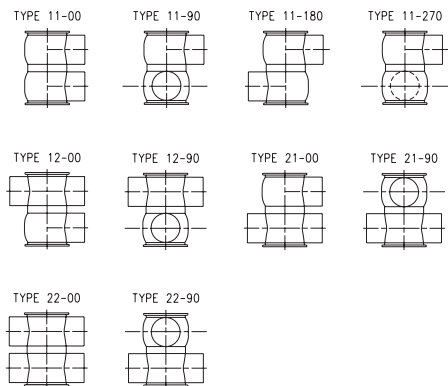
51	1	Valve body, upper, 1 port.....	9613-0580-03	9613-0580-05	9613-0582-01	9613-0580-07	9613-0580-09	9613-0582-03
51 ¹⁾	1	Valve body, upper, 2 ports.....	9613-0580-04	9613-0580-06	9613-0582-02	9613-0580-08	9613-0580-10	9613-0582-04
53	1	Valve body, lower, 1 port.....	9613-0583-03	9613-0583-05	9613-0585-01	9613-0583-07	9613-0583-09	9613-0585-03
53 ¹⁾	1	Valve body, lower, 2 ports.....	9613-0583-04	9613-0583-06	9613-0585-02	9613-0583-08	9613-0583-10	9613-0585-04
51	1	Valve body, upper, 1 port.....	9613-0580-15	9613-0580-17	9613-0582-15	9613-0580-19	9613-0580-21	9613-0582-17
51 ²⁾	1	Valve body, upper, 2 ports.....	9613-0580-16	9613-0580-18	9613-0582-16	9613-0580-20	9613-0580-22	9613-0582-18
53	1	Valve body, lower, 1 port.....	9613-0583-15	9613-0583-17	9613-0585-15	9613-0583-19	9613-0583-21	9613-0585-17
53 ²⁾	1	Valve body, lower, 2 ports.....	9613-0583-16	9613-0583-18	9613-0585-16	9613-0583-20	9613-0583-22	9613-0585-18
51	1	Valve body, upper, 1 port.....	9613-0580-27	9613-0580-29	9613-0582-29	9613-0580-31	9613-0580-33	9613-0582-31
51 ³⁾	1	Valve body, upper, 2 ports.....	9613-0580-28	9613-0580-30	9613-0582-30	9613-0580-32	9613-0580-34	9613-0582-32
53	1	Valve body, lower, 1 port.....	9613-0583-27	9613-0583-29	9613-0585-29	9613-0583-31	9613-0583-33	9613-0585-31
53 ³⁾	1	Valve body, lower, 2 ports.....	9613-0583-28	9613-0583-30	9613-0585-30	9613-0583-32	9613-0583-34	9613-0585-32

- ① Serial no. below 1030000 - manufactured before 1. October 2003
- ② Serial no. above 1030000 - manufactured after 1. October 2003

1. Find your plug/sealings element set-up
2. Find the right connection between type and pos. no. in the table and you have the part no.

Example:

1. Size 3", Plug set-up type 5
2. Pos. no. 55/type 5 has the part no. is 9613-0082-02



Parts for Standard Valves

Pos.	Qty.	Denomination	②	②	①	①	Sch. 5 5"	Sch. 5 6"
			4" seat ø100.3	Sch. 5 4" seat ø100.3	4" seat ø115.3	Sch. 5 4" seat ø115.3		
37	1	Intermediate piece Plug set-up 9-16 blasted.....	9613-0192-01	9613-0192-03	9613-0192-01	9613-0192-03	9613-0193-02	9613-0193-04
	1	Intermediate piece Plug set-up 1-8 blasted.....	9613-0192-04	9613-0192-06	9613-0192-04	9613-0192-06	9613-0193-06	9613-0193-08
	1	Intermediate piece Plug set-up 9-16 polished.....	9613-0192-07	9613-0192-09	9613-0192-07	9613-0192-09	9613-0193-10	9613-0193-12
	1	Intermediate piece Plug set-up 1-8 polished.....	9613-0192-10	9613-0192-12	9613-0192-10	9613-0192-12	9613-0193-14	9613-0193-16
50	1	Valve body 11-00.....	9613-0927-01	9613-0928-01	9613-0576-01	9613-0577-01	9613-0579-01	9613-0579-11
	1	Valve body 12-00.....	9613-0927-05	9613-0928-05	9613-0576-05	9613-0577-05	9613-0579-05	9613-0579-15
	1	Valve body 21-00.....	9613-0927-07	9613-0928-07	9613-0576-07	9613-0577-07	9613-0579-07	9613-0579-17
	1	Valve body 22-00.....	9613-0927-09	9613-0928-09	9613-0576-09	9613-0577-09	9613-0579-09	9613-0579-19
50 ¹⁾	1	Valve body 11-90.....	9613-0927-02	9613-0928-02	9613-0576-02	9613-0577-02	9613-0579-02	9613-0579-12
	1	Valve body 12-90.....	9613-0927-06	9613-0928-06	9613-0576-06	9613-0577-06	9613-0579-06	9613-0579-16
	1	Valve body 21-90.....	9613-0927-08	9613-0928-08	9613-0576-08	9613-0577-08	9613-0579-08	9613-0579-18
	1	Valve body 22-90.....	9613-0927-10	9613-0928-10	9613-0576-10	9613-0577-10	9613-0579-10	9613-0579-20
	1	Valve body 11-180.....	9613-0927-03	9613-0928-03	9613-0576-03	9613-0577-03	9613-0579-03	9613-0579-13
	1	Valve body 11-270.....	9613-0927-04	9613-0928-04	9613-0576-04	9613-0577-04	9613-0579-04	9613-0579-14
50	1	Valve body 11-00.....	9613-0927-21	9613-0928-11	9613-0576-21	9613-0577-11	9613-0579-21	9613-0579-31
	1	Valve body 12-00.....	9613-0927-25	9613-0928-15	9613-0576-25	9613-0577-15	9613-0579-25	9613-0579-35
	1	Valve body 21-00.....	9613-0927-27	9613-0928-17	9613-0576-27	9613-0577-17	9613-0579-27	9613-0579-37
	1	Valve body 22-00.....	9613-0927-29	9613-0928-19	9613-0576-29	9613-0577-19	9613-0579-29	9613-0579-39
50 ²⁾	1	Valve body 11-90.....	9613-0927-22	9613-0928-12	9613-0576-22	9613-0577-12	9613-0579-22	9613-0579-32
	1	Valve body 12-90.....	9613-0927-26	9613-0928-16	9613-0576-26	9613-0577-16	9613-0579-26	9613-0579-36
	1	Valve body 21-90.....	9613-0927-28	9613-0928-18	9613-0576-28	9613-0577-18	9613-0579-28	9613-0579-38
	1	Valve body 22-90.....	9613-0927-30	9613-0928-20	9613-0576-30	9613-0577-20	9613-0579-30	9613-0579-40
	1	Valve body 11-180.....	9613-0927-23	9613-0928-13	9613-0576-23	9613-0577-13	9613-0579-23	9613-0579-33
	1	Valve body 11-270.....	9613-0927-24	9613-0928-14	9613-0576-24	9613-0577-14	9613-0579-24	9613-0579-34
50	1	Valve body 11-00.....	9613-0927-41	9613-0928-21	9613-0576-41	9613-0577-21	9613-0579-41	9613-0579-51
	1	Valve body 12-00.....	9613-0927-45	9613-0928-25	9613-0576-45	9613-0577-25	9613-0579-45	9613-0579-55
	1	Valve body 21-00.....	9613-0927-47	9613-0928-27	9613-0576-47	9613-0577-27	9613-0579-47	9613-0579-57
	1	Valve body 22-00.....	9613-0927-49	9613-0928-29	9613-0576-49	9613-0577-29	9613-0579-49	9613-0579-59
50 ³⁾	1	Valve body 11-90.....	9613-0927-42	9613-0928-22	9613-0576-42	9613-0577-22	9613-0579-42	9613-0579-52
	1	Valve body 12-90.....	9613-0927-46	9613-0928-26	9613-0576-46	9613-0577-26	9613-0579-46	9613-0579-56
	1	Valve body 21-90.....	9613-0927-48	9613-0928-28	9613-0576-48	9613-0577-28	9613-0579-48	9613-0579-58
	1	Valve body 22-90.....	9613-0927-50	9613-0928-30	9613-0576-50	9613-0577-30	9613-0579-50	9613-0579-60
	1	Valve body 11-180.....	9613-0927-43	9613-0928-23	9613-0576-43	9613-0577-23	9613-0579-43	9613-0579-53
	1	Valve body 11-270.....	9613-0927-44	9613-0928-24	9613-0576-44	9613-0577-24	9613-0579-44	9613-0579-54

Clamped valve body

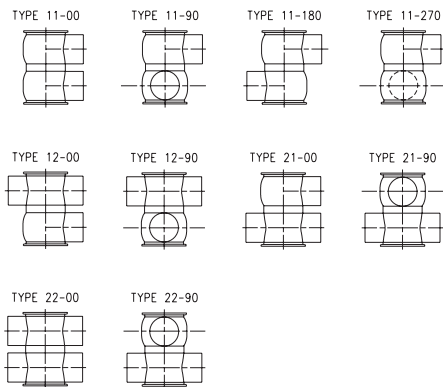
51	1	Valve body, upper, 1 port.....	9613-0580-37	9613-0582-43	9613-0580-11	9613-0582-05	9613-0582-07	9613-0582-09
51 ¹⁾	1	Valve body, upper, 2 ports.....	9613-0580-38	9613-0582-44	9613-0580-12	9613-0582-06	9613-0582-08	9613-0582-10
53	1	Valve body, lower, 1 port.....	9613-0583-11	9613-0585-05	9613-0583-11	9613-0585-05	9613-0585-07	9613-0585-09
53 ¹⁾	1	Valve body, lower, 2 ports.....	9613-0583-12	9613-0585-06	9613-0583-12	9613-0585-06	9613-0585-08	9613-0585-10
51	1	Valve body, upper, 1 port.....	9613-0580-39	9613-0582-45	9613-0580-23	9613-0582-19	9613-0582-21	9613-0582-23
51 ²⁾	1	Valve body, upper, 2 ports.....	9613-0580-40	9613-0582-46	9613-0580-24	9613-0582-20	9613-0582-22	9613-0582-24
53	1	Valve body, lower, 1 port.....	9613-0583-23	9613-0585-19	9613-0583-23	9613-0585-19	9613-0585-21	9613-0585-23
53 ²⁾	1	Valve body, lower, 2 ports.....	9613-0583-24	9613-0585-20	9613-0583-24	9613-0585-20	9613-0585-22	9613-0585-24
51	1	Valve body, upper, 1 port.....	9613-0580-41	9613-0582-47	9613-0580-35	9613-0582-33	9613-0582-35	9613-0582-37
51 ³⁾	1	Valve body, upper, 2 ports.....	9613-0580-42	9613-0582-48	9613-0580-36	9613-0582-34	9613-0582-36	9613-0582-38
53	1	Valve body, lower, 1 port.....	9613-0583-35	9613-0585-33	9613-0583-35	9613-0585-33	9613-0585-35	9613-0585-37
53 ³⁾	1	Valve body, lower, 2 ports.....	9613-0583-36	9613-0585-34	9613-0583-36	9613-0585-34	9613-0585-36	9613-0585-38

- ① Serial no. below 1030000 - manufactured before 1. October 2003
 ② Serial no. above 1030000 - manufactured after 1. October 2003

- Find your plug/sealings element set-up
- Find the right connection between type and pos. no. in the table and you have the part no.

Example:

- Size 3", Plug set-up type 5
- Pos. no. 55/type 5 has the part no. is 9613-0082-02



Denomination	
Plug Set-up 1	
2" / Sch. 5 2"	
Service kit, EPDM.....	9611-92-1550
Service kit, NBR.....	9611-92-1556
Service kit, FPM.....	9611-92-1562
Service kit, HNBR.....	9611-92-1568
2½"-3" / Sch. 5 3"	
Service kit, EPDM.....	9611-92-1552
Service kit, NBR.....	9611-92-1558
Service kit, FPM.....	9611-92-1564
Service kit, HNBR.....	9611-92-1570
4" / Sch. 5 4" ①	
Service kit, EPDM.....	9611-92-1554
Service kit, NBR.....	9611-92-1560
Service kit, FPM.....	9611-92-1566
Service kit, HNBR.....	9611-92-1572
4" / Sch. 5 4" ②	
Service kit, EPDM.....	9611-92-6334
Service kit, NBR.....	9611-92-6335
Service kit, FPM.....	9611-92-6336
Service kit, HNBR.....	9611-92-6337
Sch. 5 5" - Sch. 5 6"	
Service kit, EPDM.....	9611-92-6025
Service kit, NBR.....	9611-92-6026
Service kit, FPM.....	9611-92-6027
Service kit, HNBR.....	9611-92-6028
Plug Set-up 2	
2" / Sch. 5 2"	
Service kit, EPDM.....	9611-92-1574
Service kit, NBR.....	9611-92-1580
Service kit, FPM.....	9611-92-1586
Service kit, HNBR.....	9611-92-1592
2½"-3" / Sch. 5 3"	
Service kit, EPDM.....	9611-92-1576
Service kit, NBR.....	9611-92-1582
Service kit, FPM.....	9611-92-1588
Service kit, HNBR.....	9611-92-1594
4" / Sch. 5 4" ①	
Service kit, EPDM.....	9611-92-1578
Service kit, NBR.....	9611-92-1584
Service kit, FPM.....	9611-92-1590
Service kit, HNBR.....	9611-92-1596
4" / Sch. 5 4" ②	
Service kit, EPDM.....	9611-92-6338
Service kit, NBR.....	9611-92-6339
Service kit, FPM.....	9611-92-6340
Service kit, HNBR.....	9611-92-6341
Sch. 5 5" - Sch. 5 6"	
Service kit, EPDM.....	9611-92-6029
Service kit, NBR.....	9611-92-6030
Service kit, FPM.....	9611-92-6031
Service kit, HNBR.....	9611-92-6032

Denomination	
Plug Set-up 3	
2" / Sch. 5 2"	
Service kit, EPDM.....	9611-92-1598
Service kit, NBR.....	9611-92-1605
Service kit, FPM.....	9611-92-1611
Service kit, HNBR.....	9611-92-1617
2½"-3" / Sch. 5 3"	
Service kit, EPDM.....	9611-92-1599
Service kit, NBR.....	9611-92-1606
Service kit, FPM.....	9611-92-1612
Service kit, HNBR.....	9611-92-1618
4" / Sch. 5 4" ①	
Service kit, EPDM.....	9611-92-1602
Service kit, NBR.....	9611-92-1608
Service kit, FPM.....	9611-92-1614
Service kit, HNBR.....	9611-92-1620
4" / Sch. 5 4" ②	
Service kit, EPDM.....	9611-92-6342
Service kit, NBR.....	9611-92-6343
Service kit, FPM.....	9611-92-6344
Service kit, HNBR.....	9611-92-6345
Sch. 5 5" - Sch. 5 6"	
Service kit, EPDM.....	9611-92-6033
Service kit, NBR.....	9611-92-6034
Service kit, FPM.....	9611-92-6035
Service kit, HNBR.....	9611-92-6036

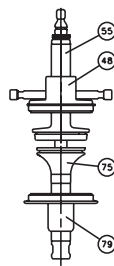
- ① Serial no. below 1030000 - manufactured before 1. October 2003
- ② Serial no. above 1030000 - manufactured after 1. October 2003

NOTE!

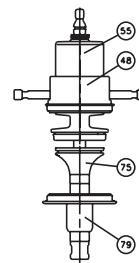
If different connection size on upper and lower body, except for sizes Sch. 5 5" and Sch. 5 6" it is always the smallest body that determines the service kit.

If clamped valve body an extra o-ring (pos. 52) is required.

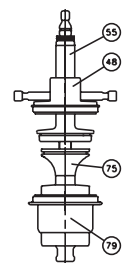
Plug set-up 1



Plug set-up 2



Plug set-up 3



Denomination	
Plug Set-up 4	
1½"	
Service kit, EPDM.....	9611-92-1622
Service kit, NBR.....	9611-92-1628
Service kit, FPM.....	9611-92-1634
Service kit, HNBR.....	9611-92-1640
2" / Sch. 5 2"	
Service kit, EPDM.....	9611-92-1623
Service kit, NBR.....	9611-92-1629
Service kit, FPM.....	9611-92-1635
Service kit, HNBR.....	9611-92-1641
2½" - 3" / Sch. 5 3"	
Service kit, EPDM.....	9611-92-1624
Service kit, NBR.....	9611-92-1630
Service kit, FPM.....	9611-92-1636
Service kit, HNBR.....	9611-92-1642
4" / Sch. 5 4" ①	
Service kit, EPDM.....	9611-92-1626
Service kit, NBR.....	9611-92-1632
Service kit, FPM.....	9611-92-1638
Service kit, HNBR.....	9611-92-1644
4" / Sch. 5 4" ②	
Service kit, EPDM.....	9611-92-6346
Service kit, NBR.....	9611-92-6347
Service kit, FPM.....	9611-92-6348
Service kit, HNBR.....	9611-92-6349
Sch. 5 5" - Sch. 5 6"	
Service kit, EPDM.....	9611-92-6037
Service kit, NBR.....	9611-92-6038
Service kit, FPM.....	9611-92-6039
Service kit, HNBR.....	9611-92-6040
Plug Set-up 5	
2" / Sch. 5 2"	
Service kit, EPDM.....	9611-92-1647
Service kit, NBR.....	9611-92-1653
Service kit, FPM.....	9611-92-1659
Service kit, HNBR.....	9611-92-1665
2½" - 3" / Sch. 5 3"	
Service kit, EPDM.....	9611-92-1648
Service kit, NBR.....	9611-92-1654
Service kit, FPM.....	9611-92-1660
Service kit, HNBR.....	9611-92-1666
4" / Sch. 5 4" ①	
Service kit, EPDM.....	9611-92-1650
Service kit, NBR.....	9611-92-1656
Service kit, FPM.....	9611-92-1662
Service kit, HNBR.....	9611-92-1668
4" / Sch. 5 4" ②	
Service kit, EPDM.....	9611-92-6350
Service kit, NBR.....	9611-92-6351
Service kit, FPM.....	9611-92-6352
Service kit, HNBR.....	9611-92-6353
Sch. 5 5" - Sch. 5 6"	
Service kit, EPDM.....	9611-92-6041
Service kit, NBR.....	9611-92-6042
Service kit, FPM.....	9611-92-6043
Service kit, HNBR.....	9611-92-6044

Denomination	
Plug Set-up 6	
1½"	
Service kit, EPDM.....	9611-92-1670
Service kit, NBR.....	9611-92-1676
Service kit, FPM.....	9611-92-1682
Service kit, HNBR.....	9611-92-1688
2" / Sch. 5 2"	
Service kit, EPDM.....	9611-92-1671
Service kit, NBR.....	9611-92-1677
Service kit, FPM.....	9611-92-1683
Service kit, HNBR.....	9611-92-1689
2½" - 3" / Sch. 5 3"	
Service kit, EPDM.....	9611-92-1672
Service kit, NBR.....	9611-92-1678
Service kit, FPM.....	9611-92-1684
Service kit, HNBR.....	9611-92-1690
4" / Sch. 5 4" ①	
Service kit, EPDM.....	9611-92-1674
Service kit, NBR.....	9611-92-1680
Service kit, FPM.....	9611-92-1686
Service kit, HNBR.....	9611-92-1689
4" / Sch. 5 4" ②	
Service kit, EPDM.....	9611-92-6354
Service kit, NBR.....	9611-92-6355
Service kit, FPM.....	9611-92-6356
Service kit, HNBR.....	9611-92-6357
Sch. 5 5" - Sch. 5 6"	
Service kit, EPDM.....	9611-92-6045
Service kit, NBR.....	9611-92-6046
Service kit, FPM.....	9611-92-6047
Service kit, HNBR.....	9611-92-6048

① Serial no. below 1030000 - manufactured before 1. October 2003

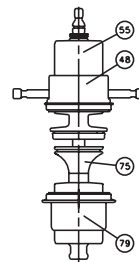
② Serial no. above 1030000 - manufactured after 1. October 2003

NOTE!

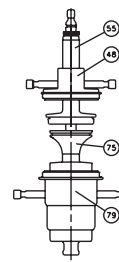
If different connection size on upper and lower body, except for sizes Sch. 5 5" and Sch. 5 6" it is always the smallest body that determines the service kit.

If clamped valve body an extra o-ring (pos. 52) is required.

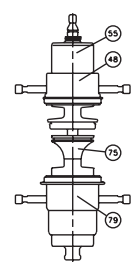
Plug set-up 4



Plug set-up 5



Plug set-up 6



Denomination		Denomination	
Plug Set-up 7		Plug Set-up 9	
2" / Sch. 5 2"		2" / Sch. 5 2"	
Service kit, EPDM.....	9611-92-1695	Service kit, EPDM.....	9611-92-1743
Service kit, NBR.....	9611-92-1701	Service kit, NBR.....	9611-92-1749
Service kit, FPM.....	9611-92-1707	Service kit, FPM.....	9611-92-1755
Service kit, HNBR.....	9611-92-1713	Service kit, HNBR.....	9611-92-1761
2½" - 3" / Sch. 5 3"		2½" - 3" / Sch. 5 3"	
Service kit, EPDM.....	9611-92-1697	Service kit, EPDM.....	9611-92-1745
Service kit, NBR.....	9611-92-1703	Service kit, NBR.....	9611-92-1751
Service kit, FPM.....	9611-92-1709	Service kit, FPM.....	9611-92-1757
Service kit, HNBR.....	9611-92-1715	Service kit, HNBR.....	9611-92-1763
4" / Sch. 5 4" ①		4" / Sch. 5 4" ①	
Service kit, EPDM.....	9611-92-1699	Service kit, EPDM.....	9611-92-1747
Service kit, NBR.....	9611-92-1705	Service kit, NBR.....	9611-92-1753
Service kit, FPM.....	9611-92-1711	Service kit, FPM.....	9611-92-1759
Service kit, HNBR.....	9611-92-1717	Service kit, HNBR.....	9611-92-1765
4" / Sch. 5 4" ②		4" / Sch. 5 4" ②	
Service kit, EPDM.....	9611-92-6358	Service kit, EPDM.....	9611-92-6362
Service kit, NBR.....	9611-92-6359	Service kit, NBR.....	9611-92-6363
Service kit, FPM.....	9611-92-6360	Service kit, FPM.....	9611-92-6364
Service kit, HNBR.....	9611-92-6361	Service kit, HNBR.....	9611-92-6365
Sch. 5 5" - Sch. 5 6"		Sch. 5 5" - Sch. 5 6"	
Service kit, EPDM.....	9611-92-6049	Service kit, EPDM.....	9611-92-6057
Service kit, NBR.....	9611-92-6050	Service kit, NBR.....	9611-92-6058
Service kit, FPM.....	9611-92-6051	Service kit, FPM.....	9611-92-6059
Service kit, HNBR.....	9611-92-6052	Service kit, HNBR.....	9611-92-6060
Plug Set-up 8			
2" / Sch. 5 2"			
Service kit, EPDM.....	9611-92-1647		
Service kit, NBR.....	9611-92-1653		
Service kit, FPM.....	9611-92-1659		
Service kit, HNBR.....	9611-92-1665		
2½" - 3" / Sch. 5 3"			
Service kit, EPDM.....	9611-92-1648		
Service kit, NBR.....	9611-92-1654		
Service kit, FPM.....	9611-92-1660		
Service kit, HNBR.....	9611-92-1666		
4" / Sch. 5 4" ①			
Service kit, EPDM.....	9611-92-1650		
Service kit, NBR.....	9611-92-1656		
Service kit, FPM.....	9611-92-1662		
Service kit, HNBR.....	9611-92-1668		
4" / Sch. 5 4" ②			
Service kit, EPDM.....	9611-92-6350		
Service kit, NBR.....	9611-92-6351		
Service kit, FPM.....	9611-92-6352		
Service kit, HNBR.....	9611-92-6353		
Sch. 5 5" - Sch. 5 6"			
Service kit, EPDM.....	9611-92-6041		
Service kit, NBR.....	9611-92-6042		
Service kit, FPM.....	9611-92-6043		
Service kit, HNBR.....	9611-92-6044		

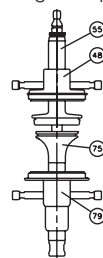
- ① Serial no. below 1030000 - manufactured before 1. October 2003
- ② Serial no. above 1030000 - manufactured after 1. October 2003

NOTE!

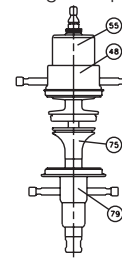
If different connection size on upper and lower body, except for sizes Sch. 5 5" and Sch. 5 6" it is always the smallest body that determines the service kit.

If clamped valve body an extra o-ring (pos. 52) is required.

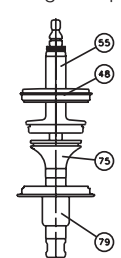
Plug set-up 7



Plug set-up 8



Plug set-up 9



Denomination	
Plug Set-up 10	
2" / Sch. 5 2"	
Service kit, EPDM.....	9611-92-1767
Service kit, NBR.....	9611-92-1773
Service kit, FPM.....	9611-92-1779
Service kit, HNBR.....	9611-92-1785
2½" - 3" / Sch. 5 3"	
Service kit, EPDM.....	9611-92-1769
Service kit, NBR.....	9611-92-1775
Service kit, FPM.....	9611-92-1781
Service kit, HNBR.....	9611-92-1787
4" / Sch. 5 4" ①	
Service kit, EPDM.....	9611-92-1771
Service kit, NBR.....	9611-92-1777
Service kit, FPM.....	9611-92-1783
Service kit, HNBR.....	9611-92-1789
4" / Sch. 5 4" ②	
Service kit, EPDM.....	9611-92-6366
Service kit, NBR.....	9611-92-6367
Service kit, FPM.....	9611-92-6368
Service kit, HNBR.....	9611-92-6369
Sch. 5 5" - Sch. 5 6"	
Service kit, EPDM.....	9611-92-6061
Service kit, NBR.....	9611-92-6062
Service kit, FPM.....	9611-92-6063
Service kit, HNBR.....	9611-92-6064
Plug Set-up 11	
2" / Sch. 5 2"	
Service kit, EPDM.....	9611-92-1767
Service kit, NBR.....	9611-92-1773
Service kit, FPM.....	9611-92-1779
Service kit, HNBR.....	9611-92-1785
2½" - 3" / Sch. 5 3"	
Service kit, EPDM.....	9611-92-1769
Service kit, NBR.....	9611-92-1775
Service kit, FPM.....	9611-92-1781
Service kit, HNBR.....	9611-92-1787
4" / Sch. 5 4" ①	
Service kit, EPDM.....	9611-92-1771
Service kit, NBR.....	9611-92-1777
Service kit, FPM.....	9611-92-1783
Service kit, HNBR.....	9611-92-1789
4" / Sch. 5 4" ②	
Service kit, EPDM.....	9611-92-6366
Service kit, NBR.....	9611-92-6367
Service kit, FPM.....	9611-92-6368
Service kit, HNBR.....	9611-92-6369
Sch. 5 5" - Sch. 5 6"	
Service kit, EPDM.....	9611-92-6061
Service kit, NBR.....	9611-92-6062
Service kit, FPM.....	9611-92-6063
Service kit, HNBR.....	9611-92-6064

Denomination	
Plug Set-up 12	
1½"	
Service kit, EPDM.....	9611-92-1814
Service kit, NBR.....	9611-92-1820
Service kit, FPM.....	9611-92-1826
Service kit, HNBR.....	9611-92-1832
2" / Sch. 5 2"	
Service kit, EPDM.....	9611-92-1815
Service kit, NBR.....	9611-92-1821
Service kit, FPM.....	9611-92-1827
Service kit, HNBR.....	9611-92-1833
2½"-3" / Sch. 5 3"	
Service kit, EPDM.....	9611-92-1816
Service kit, NBR.....	9611-92-1822
Service kit, FPM.....	9611-92-1828
Service kit, HNBR.....	9611-92-1834
4" / Sch. 5 4" ①	
Service kit, EPDM.....	9611-92-1818
Service kit, NBR.....	9611-92-1824
Service kit, FPM.....	9611-92-1830
Service kit, HNBR.....	9611-92-1836
4" / Sch. 5 4" ②	
Service kit, EPDM.....	9611-92-6370
Service kit, NBR.....	9611-92-6371
Service kit, FPM.....	9611-92-6372
Service kit, HNBR.....	9611-92-6373
Sch. 5 5" - Sch. 5 6"	
Service kit, EPDM.....	9611-92-6069
Service kit, NBR.....	9611-92-6070
Service kit, FPM.....	9611-92-6071
Service kit, HNBR.....	9611-92-6072

① Serial no. below 1030000 - manufactured before 1. October 2003

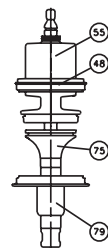
② Serial no. above 1030000 - manufactured after 1. October 2003

NOTE!

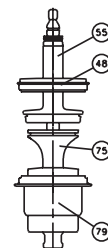
If different connection size on upper and lower body, except for sizes Sch. 5 5" and Sch. 5 6" it is always the smallest body that determines the service kit.

If clamped valve body an extra o-ring (pos. 52) is required.

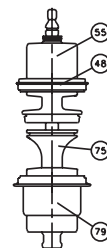
Plug set-up 10



Plug set-up 11



Plug set-up 12



Denomination	
Plug Set-up 13	
2" / Sch. 5 2"	
Service kit , EPDM.....	9611-92-1574
Service kit, NBR.....	9611-92-1580
Service kit, FPM.....	9611-92-1586
Service kit, HNBR.....	9611-92-1592
2½" -3" / Sch. 5 3"	
Service kit , EPDM.....	9611-92-1576
Service kit, NBR.....	9611-92-1582
Service kit, FPM.....	9611-92-1588
Service kit, HNBR.....	9611-92-1594
4" / Sch. 5 4" ①	
Service kit , EPDM.....	9611-92-1578
Service kit, NBR.....	9611-92-1584
Service kit, FPM.....	9611-92-1590
Service kit, HNBR.....	9611-92-1596
4" / Sch. 5 4" ②	
Service kit , EPDM.....	9611-92-6338
Service kit, NBR.....	9611-92-6339
Service kit, FPM.....	9611-92-6340
Service kit, HNBR.....	9611-92-6341
Sch. 5 5" - Sch. 5 6"	
Service kit , EPDM.....	9611-92-6029
Service kit, NBR.....	9611-92-6030
Service kit, FPM.....	9611-92-6031
Service kit, HNBR.....	9611-92-6032
Plug Set-up 14	
1½"	
Service kit, EPDM.....	9611-92-1622
Service kit, NBR.....	9611-92-1628
Service kit, FPM.....	9611-92-1634
Service kit, HNBR.....	9611-92-1640
2" / Sch. 5 2"	
Service kit, EPDM.....	9611-92-1623
Service kit, NBR.....	9611-92-1629
Service kit, FPM.....	9611-92-1635
Service kit, HNBR.....	9611-92-1641
2½" - 3" / Sch. 5 3"	
Service kit, EPDM.....	9611-92-1624
Service kit, NBR.....	9611-92-1630
Service kit, FPM.....	9611-92-1636
Service kit, HNBR.....	9611-92-1642
4" / Sch. 5 4" ①	
Service kit, EPDM.....	9611-92-1626
Service kit, NBR.....	9611-92-1632
Service kit, FPM.....	9611-92-1638
Service kit, HNBR.....	9611-92-1644
4" / Sch. 5 4" ②	
Service kit, EPDM.....	9611-92-6346
Service kit, NBR.....	9611-92-6347
Service kit, FPM.....	9611-92-6348
Service kit, HNBR.....	9611-92-6349
Sch. 5 5" - Sch. 5 6"	
Service kit, EPDM.....	9611-92-6037
Service kit, NBR.....	9611-92-6038
Service kit, FPM.....	9611-92-6039
Service kit, HNBR.....	9611-92-6040

Denomination	
Plug Set-up 15	
2" / Sch. 5 2"	
Service kit, EPDM.....	9611-92-1550
Service kit, NBR.....	9611-92-1556
Service kit, FPM.....	9611-92-1562
Service kit, HNBR.....	9611-92-1568
2½" - 3" / Sch. 5 3"	
Service kit, EPDM.....	9611-92-1552
Service kit, NBR.....	9611-92-1558
Service kit, FPM.....	9611-92-1564
Service kit, HNBR.....	9611-92-1570
4" / Sch. 5 4" ①	
Service kit, EPDM.....	9611-92-1554
Service kit, NBR.....	9611-92-1560
Service kit, FPM.....	9611-92-1566
Service kit, HNBR.....	9611-92-1572
4" / Sch. 5 4" ②	
Service kit, EPDM.....	9611-92-6334
Service kit, NBR.....	9611-92-6335
Service kit, FPM.....	9611-92-6336
Service kit, HNBR.....	9611-92-6337
Sch. 5 5" - Sch. 5 6"	
Service kit, EPDM.....	9611-92-6025
Service kit, NBR.....	9611-92-6026
Service kit, FPM.....	9611-92-6027
Service kit, HNBR.....	9611-92-6028

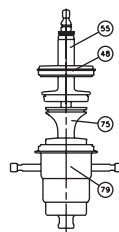
- ① Serial no. below 1030000 - manufactured before 1. October 2003
- ② Serial no. above 1030000 - manufactured after 1. October 2003

NOTE!

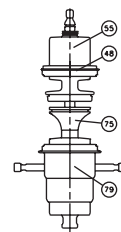
If different connection size on upper and lower body, except for sizes Sch. 5 5" and Sch. 5 6" it is always the smallest body that determines the service kit.

If clamped valve body an extra o-ring (pos. 52) is required.

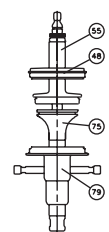
Plug set-up 13



Plug set-up 14



Plug set-up 15



Denomination

Plug Set-up 16

2" / Sch. 5 2"

Service kit, EPDM.....	9611-92-1598
Service kit, NBR.....	9611-92-1605
Service kit, FPM.....	9611-92-1611
Service kit, HNBR.....	9611-92-1617

2½" - 3" / Sch. 5 3"

Service kit, EPDM.....	9611-92-1599
Service kit, NBR.....	9611-92-1606
Service kit, FPM.....	9611-92-1612
Service kit, HNBR.....	9611-92-1618

4" / Sch. 5 4" ①

Service kit, EPDM.....	9611-92-1602
Service kit, NBR.....	9611-92-1608
Service kit, FPM.....	9611-92-1614
Service kit, HNBR.....	9611-92-1620

4" / Sch. 5 4" ②

Service kit, EPDM.....	9611-92-6342
Service kit, NBR.....	9611-92-6343
Service kit, FPM.....	9611-92-6344
Service kit, HNBR.....	9611-92-6345

Sch. 5 5" - Sch. 5 6"

Service kit, EPDM.....	9611-92-6033
Service kit, NBR.....	9611-92-6034
Service kit, FPM.....	9611-92-6035
Service kit, HNBR.....	9611-92-6036

① Serial no. below 1030000 - manufactured before 1. October 2003

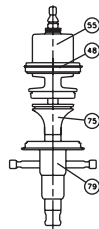
② Serial no. above 1030000 - manufactured after 1. October 2003

NOTE!

If different connection size on upper and lower body, except for sizes Sch. 5 5" and Sch. 5 6" it is always the smallest body that determines the service kit.

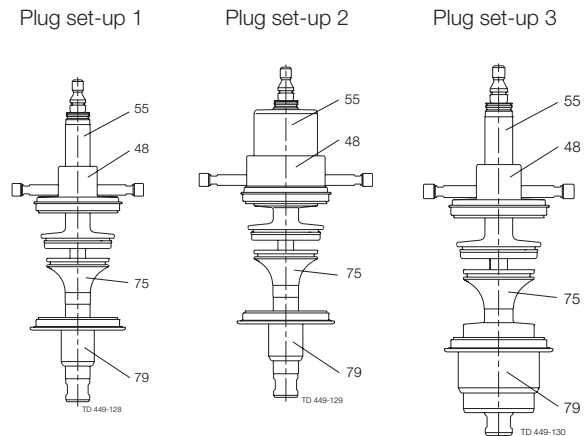
If clamped valve body an extra o-ring (pos. 52) is required.

Plug set-up 16



Mixing with Sch. 5 5" and Sch. 5 6"

Denomination		Denomination	
Plug Set-up 1		Plug Set-up 3	
2" / Sch. 5 2"		2" / Sch. 5 2"	
Service kit, EPDM.....	9611-92-6105	Service kit, EPDM.....	9611-92-6113
Service kit, NBR.....	9611-92-6106	Service kit, NBR.....	9611-92-6114
Service kit, FPM.....	9611-92-6107	Service kit, FPM.....	9611-92-6115
Service kit, HNBR.....	9611-92-6108	Service kit, HNBR.....	9611-92-6116
2½" - 3" / Sch. 5 3"		2½" - 3" / Sch. 5 3"	
Service kit, EPDM.....	9611-92-6169	Service kit, EPDM.....	9611-92-6177
Service kit, NBR.....	9611-92-6170	Service kit, NBR.....	9611-92-6178
Service kit, FPM.....	9611-92-6171	Service kit, FPM.....	9611-92-6179
Service kit, HNBR.....	9611-92-6172	Service kit, HNBR.....	9611-92-6180
4" / Sch. 5 4" ①		4" / Sch. 5 4" ①	
Service kit, EPDM.....	9611-92-6233	Service kit, EPDM.....	9611-92-6241
Service kit, NBR.....	9611-92-6234	Service kit, NBR.....	9611-92-6242
Service kit, FPM.....	9611-92-6235	Service kit, FPM.....	9611-92-6243
Service kit, HNBR.....	9611-92-6236	Service kit, HNBR.....	9611-92-6244
4" / Sch. 5 4" ②		4" / Sch. 5 4" ②	
Service kit, EPDM.....	9611-92-6374	Service kit, EPDM.....	9611-92-6382
Service kit, NBR.....	9611-92-6375	Service kit, NBR.....	9611-92-6383
Service kit, FPM.....	9611-92-6376	Service kit, FPM.....	9611-92-6384
Service kit, HNBR.....	9611-92-6377	Service kit, HNBR.....	9611-92-6385
Plug Set-up 2		① Serial no. below 1030000 - manufactured before 1. October 2003	
2" / Sch. 5 2"		② Serial no. above 1030000 - manufactured after 1. October 2003	
Service kit, EPDM.....	9611-92-6109	NOTE!	
Service kit, NBR.....	9611-92-6110	If clamped valve body an extra o-ring (pos. 52) is required.	
Service kit, FPM.....	9611-92-6111		
Service kit, HNBR.....	9611-92-6112		
2½" - 3" / Sch. 5 3"			
Service kit, EPDM.....	9611-92-6173		
Service kit, NBR.....	9611-92-6174		
Service kit, FPM.....	9611-92-6175		
Service kit, HNBR.....	9611-92-6176		
4" / Sch. 5 4" ①			
Service kit, EPDM.....	9611-92-6237		
Service kit, NBR.....	9611-92-6238		
Service kit, FPM.....	9611-92-6239		
Service kit, HNBR.....	9611-92-6240		
4" / Sch. 5 4" ②			
Service kit, EPDM.....	9611-92-6378		
Service kit, NBR.....	9611-92-6379		
Service kit, FPM.....	9611-92-6380		
Service kit, HNBR.....	9611-92-6381		

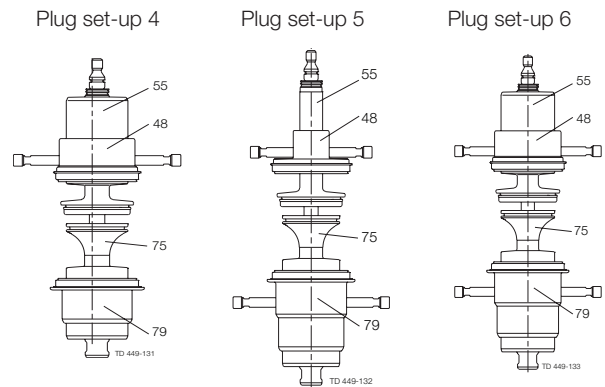


Mixing with Sch. 5 5" and Sch. 5 6"

Denomination		Denomination	
Plug Set-up 4		Plug Set-up 6	
1½"		1½"	
Service kit, EPDM.....	9611-92-6089	Service kit, EPDM.....	9611-92-6093
Service kit, NBR.....	9611-92-6090	Service kit, NBR.....	9611-92-6094
Service kit, FPM.....	9611-92-6091	Service kit, FPM.....	9611-92-6095
Service kit, HNBR.....	9611-92-6092	Service kit, HNBR.....	9611-92-6096
2" / Sch. 5 2"		2" / Sch. 5 2"	
Service kit, EPDM.....	9611-92-6117	Service kit, EPDM.....	9611-92-6125
Service kit, NBR.....	9611-92-6118	Service kit, NBR.....	9611-92-6126
Service kit, FPM.....	9611-92-6119	Service kit, FPM.....	9611-92-6127
Service kit, HNBR.....	9611-92-6120	Service kit, HNBR.....	9611-92-6128
2½" - 3" / Sch. 5 3"		2½" - 3" / Sch. 5 3"	
Service kit, EPDM.....	9611-92-6181	Service kit, EPDM.....	9611-92-6189
Service kit, NBR.....	9611-92-6182	Service kit, NBR.....	9611-92-6190
Service kit, FPM.....	9611-92-6183	Service kit, FPM.....	9611-92-6191
Service kit, HNBR.....	9611-92-6184	Service kit, HNBR.....	9611-92-6192
4" / Sch. 5 4" ①		4" / Sch. 5 4" ①	
Service kit, EPDM.....	9611-92-6245	Service kit, EPDM.....	9611-92-6253
Service kit, NBR.....	9611-92-6246	Service kit, NBR.....	9611-92-6254
Service kit, FPM.....	9611-92-6247	Service kit, FPM.....	9611-92-6255
Service kit, HNBR.....	9611-92-6248	Service kit, HNBR.....	9611-92-6256
4" / Sch. 5 4" ②		4" / Sch. 5 4" ②	
Service kit, EPDM.....	9611-92-6386	Service kit, EPDM.....	9611-92-6394
Service kit, NBR.....	9611-92-6387	Service kit, NBR.....	9611-92-6395
Service kit, FPM.....	9611-92-6388	Service kit, FPM.....	9611-92-6396
Service kit, HNBR.....	9611-92-6389	Service kit, HNBR.....	9611-92-6397
Plug Set-up 5			
2" / Sch. 5 2"			
Service kit, EPDM.....	9611-92-6121		
Service kit, NBR.....	9611-92-6122		
Service kit, FPM.....	9611-92-6123		
Service kit, HNBR.....	9611-92-6124		
2½" - 3" / Sch. 5 3"			
Service kit, EPDM.....	9611-92-6185		
Service kit, NBR.....	9611-92-6186		
Service kit, FPM.....	9611-92-6187		
Service kit, HNBR.....	9611-92-6188		
4" / Sch. 5 4" ①			
Service kit, EPDM.....	9611-92-6249		
Service kit, NBR.....	9611-92-6250		
Service kit, FPM.....	9611-92-6251		
Service kit, HNBR.....	9611-92-6252		
4" / Sch. 5 4" ②			
Service kit, EPDM.....	9611-92-6390		
Service kit, NBR.....	9611-92-6391		
Service kit, FPM.....	9611-92-6392		
Service kit, HNBR.....	9611-92-6393		

- ① Serial no. below 1030000 - manufactured before 1. October 2003
- ② Serial no. above 1030000 - manufactured after 1. October 2003

NOTE!
If clamped valve body an extra o-ring (pos. 52) is required.

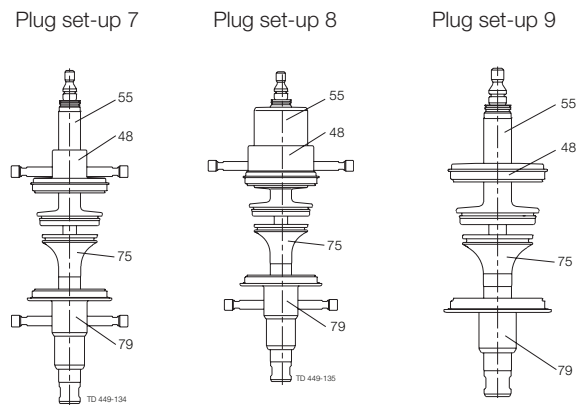


Mixing with Sch. 5 5" and Sch. 5 6"

Denomination		Denomination	
Plug Set-up 7		Plug Set-up 9	
2" / Sch. 5 2"		2" / Sch. 5 2"	
Service kit, EPDM.....	9611-92-6129	Service kit, EPDM.....	9611-92-6137
Service kit, NBR.....	9611-92-6130	Service kit, NBR.....	9611-92-6138
Service kit, FPM.....	9611-92-6131	Service kit, FPM.....	9611-92-6139
Service kit, HNBR.....	9611-92-6132	Service kit, HNBR.....	9611-92-6140
2½" - 3" / Sch. 5 3"		2½" - 3" / Sch. 5 3"	
Service kit, EPDM.....	9611-92-6193	Service kit, EPDM.....	9611-92-6201
Service kit, NBR.....	9611-92-6194	Service kit, NBR.....	9611-92-6202
Service kit, FPM.....	9611-92-6195	Service kit, FPM.....	9611-92-6203
Service kit, HNBR.....	9611-92-6196	Service kit, HNBR.....	9611-92-6204
4" / Sch. 5 4" ①		4" / Sch. 5 4" ①	
Service kit, EPDM.....	9611-92-6257	Service kit, EPDM.....	9611-92-6265
Service kit, NBR.....	9611-92-6258	Service kit, NBR.....	9611-92-6266
Service kit, FPM.....	9611-92-6259	Service kit, FPM.....	9611-92-6267
Service kit, HNBR.....	9611-92-6260	Service kit, HNBR.....	9611-92-6268
4" / Sch. 5 4" ②		4" / Sch. 5 4" ②	
Service kit, EPDM.....	9611-92-6398	Service kit, EPDM.....	9611-92-6402
Service kit, NBR.....	9611-92-6399	Service kit, NBR.....	9611-92-6403
Service kit, FPM.....	9611-92-6400	Service kit, FPM.....	9611-92-6404
Service kit, HNBR.....	9611-92-6401	Service kit, HNBR.....	9611-92-6405
Plug Set-up 8			
2" / Sch. 5 2"			
Service kit, EPDM.....	9611-92-6121		
Service kit, NBR.....	9611-92-6122		
Service kit, FPM.....	9611-92-6123		
Service kit, HNBR.....	9611-92-6124		
2½" - 3" / Sch. 5 3"			
Service kit, EPDM.....	9611-92-6185		
Service kit, NBR.....	9611-92-6186		
Service kit, FPM.....	9611-92-6187		
Service kit, HNBR.....	9611-92-6188		
4" / Sch. 5 4" ①			
Service kit, EPDM.....	9611-92-6249		
Service kit, NBR.....	9611-92-6250		
Service kit, FPM.....	9611-92-6251		
Service kit, HNBR.....	9611-92-6252		
4" / Sch. 5 4" ②			
Service kit, EPDM.....	9611-92-6390		
Service kit, NBR.....	9611-92-6391		
Service kit, FPM.....	9611-92-6392		
Service kit, HNBR.....	9611-92-6393		

- ① Serial no. below 1030000 - manufactured before 1. October 2003
- ② Serial no. above 1030000 - manufactured after 1. October 2003

NOTE!
If clamped valve body an extra o-ring (pos. 52) is required.



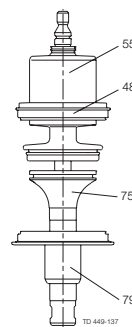
Mixing with Sch. 5 5" and Sch. 5 6"

Denomination	Denomination
Plug Set-up 10	Plug Set-up 12
2" / Sch. 5 2"	1½"
Service kit, EPDM..... 9611-92-6141	Service kit, EPDM..... 9611-92-6097
Service kit, NBR..... 9611-92-6142	Service kit, NBR..... 9611-92-6098
Service kit, FPM..... 9611-92-6143	Service kit, FPM..... 9611-92-6099
Service kit, HNBR..... 9611-92-6144	Service kit, HNBR..... 9611-92-6100
2½" - 3" / Sch. 5 3"	2" / Sch. 5 2"
Service kit, EPDM..... 9611-92-6205	Service kit, EPDM..... 9611-92-6149
Service kit, NBR..... 9611-92-6206	Service kit, NBR..... 9611-92-6150
Service kit, FPM..... 9611-92-6207	Service kit, FPM..... 9611-92-6151
Service kit, HNBR..... 9611-92-6208	Service kit, HNBR..... 9611-92-6152
4" / Sch. 5 4" ①	2½" - 3" / Sch. 5 3"
Service kit, EPDM..... 9611-92-6269	Service kit, EPDM..... 9611-92-6213
Service kit, NBR..... 9611-92-6270	Service kit, NBR..... 9611-92-6214
Service kit, FPM..... 9611-92-6271	Service kit, FPM..... 9611-92-6215
Service kit, HNBR..... 9611-92-6272	Service kit, HNBR..... 9611-92-6216
4" / Sch. 5 4" ②	4" / Sch. 5 4" ①
Service kit, EPDM..... 9611-92-6406	Service kit, EPDM..... 9611-92-6277
Service kit, NBR..... 9611-92-6407	Service kit, NBR..... 9611-92-6278
Service kit, FPM..... 9611-92-6408	Service kit, FPM..... 9611-92-6279
Service kit, HNBR..... 9611-92-6409	Service kit, HNBR..... 9611-92-6280
Plug Set-up 11	4" / Sch. 5 4" ②
2" / Sch. 5 2"	Service kit, EPDM..... 9611-92-6410
Service kit, EPDM..... 9611-92-6141	Service kit, NBR..... 9611-92-6411
Service kit, NBR..... 9611-92-6142	Service kit, FPM..... 9611-92-6412
Service kit, FPM..... 9611-92-6143	Service kit, HNBR..... 9611-92-6413
Service kit, HNBR..... 9611-92-6144	
2½" - 3" / Sch. 5 3"	
Service kit, EPDM..... 9611-92-6205	
Service kit, NBR..... 9611-92-6206	
Service kit, FPM..... 9611-92-6207	
Service kit, HNBR..... 9611-92-6208	
4" / Sch. 5 4" ①	
Service kit, EPDM..... 9611-92-6269	
Service kit, NBR..... 9611-92-6270	
Service kit, FPM..... 9611-92-6271	
Service kit, HNBR..... 9611-92-6272	
4" / Sch. 5 4" ②	
Service kit, EPDM..... 9611-92-6406	
Service kit, NBR..... 9611-92-6407	
Service kit, FPM..... 9611-92-6408	
Service kit, HNBR..... 9611-92-6409	

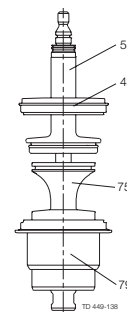
- ① Serial no. below 1030000 - manufactured before 1. October 2003
- ② Serial no. above 1030000 - manufactured after 1. October 2003

NOTE!
If clamped valve body an extra o-ring (pos. 52) is required.

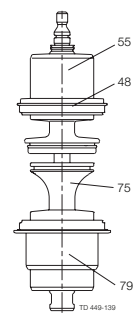
Plug set-up 10



Plug set-up 11

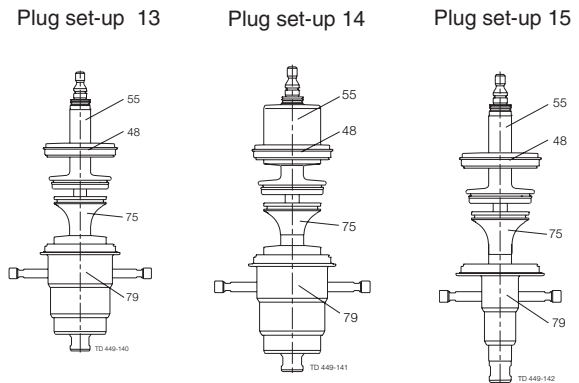


Plug set-up 12



Mixing with Sch. 5 5" and Sch. 5 6"

Denomination		Denomination	
Plug Set-up 13		Plug Set-up 15	
2" / Sch. 5 2"		2" / Sch. 5 2"	
Service kit , EPDM.....	9611-92-6109	Service kit, EPDM.....	9611-92-6105
Service kit, NBR.....	9611-92-6110	Service kit, NBR.....	9611-92-6106
Service kit, FPM.....	9611-92-6111	Service kit, FPM.....	9611-92-6107
Service kit, HNBR.....	9611-92-6112	Service kit, HNBR.....	9611-92-6108
2½" - 3" / Sch. 5 3"		2½" - 3" / Sch. 5 3"	
Service kit , EPDM.....	9611-92-6173	Service kit, EPDM.....	9611-92-6169
Service kit, NBR.....	9611-92-6174	Service kit, NBR.....	9611-92-6170
Service kit, FPM.....	9611-92-6175	Service kit, FPM.....	9611-92-6171
Service kit, HNBR.....	9611-92-6176	Service kit, HNBR.....	9611-92-6172
4" / Sch. 5 4" ①		4" / Sch. 5 4" ①	
Service kit , EPDM.....	9611-92-6237	Service kit, EPDM.....	9611-92-6233
Service kit, NBR.....	9611-92-6238	Service kit, NBR.....	9611-92-6234
Service kit, FPM.....	9611-92-6239	Service kit, FPM.....	9611-92-6235
Service kit, HNBR.....	9611-92-6240	Service kit, HNBR.....	9611-92-6236
4" / Sch. 5 4" ②		4" / Sch. 5 4" ②	
Service kit , EPDM.....	9611-92-6378	Service kit, EPDM.....	9611-92-6374
Service kit, NBR.....	9611-92-6379	Service kit, NBR.....	9611-92-6375
Service kit, FPM.....	9611-92-6380	Service kit, FPM.....	9611-92-6376
Service kit, HNBR.....	9611-92-6381	Service kit, HNBR.....	9611-92-6377
Plug Set-up 14		① Serial no. below 1030000 - manufactured before 1. October 2003	
1½"		② Serial no. above 1030000 - manufactured after 1. October 2003	
Service kit, EPDM.....	9611-92-6089	NOTE!	
Service kit, NBR.....	9611-92-6090	If clamped valve body an extra o-ring (pos. 52) is required.	
Service kit, FPM.....	9611-92-6091		
Service kit, HNBR.....	9611-92-6092		
2" / Sch. 5 2"			
Service kit, EPDM.....	9611-92-6117		
Service kit, NBR.....	9611-92-6118		
Service kit, FPM.....	9611-92-6119		
Service kit, HNBR.....	9611-92-6120		
2½" - 3" / Sch. 5 3"			
Service kit, EPDM.....	9611-92-6181		
Service kit, NBR.....	9611-92-6182		
Service kit, FPM.....	9611-92-6183		
Service kit, HNBR.....	9611-92-6184		
4" / Sch. 5 4" ①			
Service kit, EPDM.....	9611-92-6245		
Service kit, NBR.....	9611-92-6246		
Service kit, FPM.....	9611-92-6247		
Service kit, HNBR.....	9611-92-6248		
4" / Sch. 5 4" ②			
Service kit, EPDM.....	9611-92-6386		
Service kit, NBR.....	9611-92-6387		
Service kit, FPM.....	9611-92-6388		
Service kit, HNBR.....	9611-92-6389		



Mixing with Sch. 5 5" and Sch. 5 6"

Denomination

Plug Set-up 16

2" / Sch. 5 2"

Service kit, EPDM.....	9611-92-6113
Service kit, NBR.....	9611-92-6114
Service kit, FPM.....	9611-92-6115
Service kit, HNBR.....	9611-92-6116

2½" -3" / Sch. 5 3"

Service kit, EPDM.....	9611-92-6177
Service kit, NBR.....	9611-92-6178
Service kit, FPM.....	9611-92-6179
Service kit, HNBR.....	9611-92-6180

4" / Sch. 5 4" ①

Service kit, EPDM.....	9611-92-6241
Service kit, NBR.....	9611-92-6242
Service kit, FPM.....	9611-92-6243
Service kit, HNBR.....	9611-92-6244

4" / Sch. 5 4" ②

Service kit, EPDM.....	9611-92-6382
Service kit, NBR.....	9611-92-6383
Service kit, FPM.....	9611-92-6384
Service kit, HNBR.....	9611-92-6385

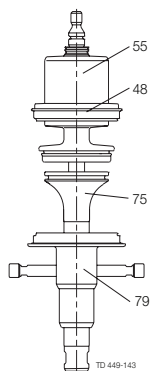
① Serial no. below 1030000 - manufactured before 1. October 2003

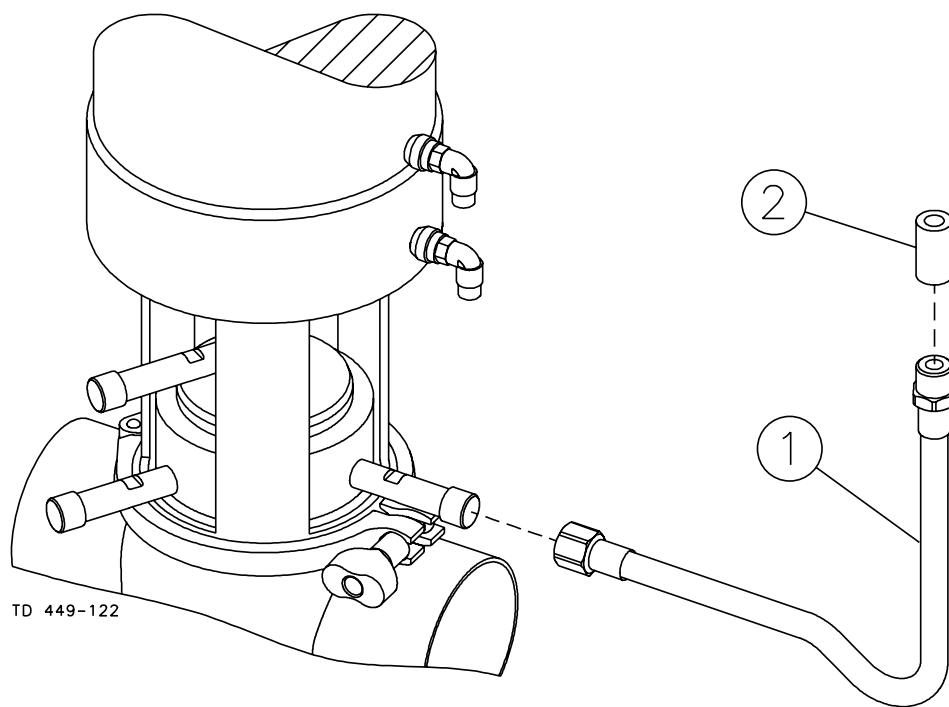
② Serial no. above 1030000 - manufactured after 1. October 2003

NOTE!

If clamped valve body an extra o-ring (pos. 52) is required.

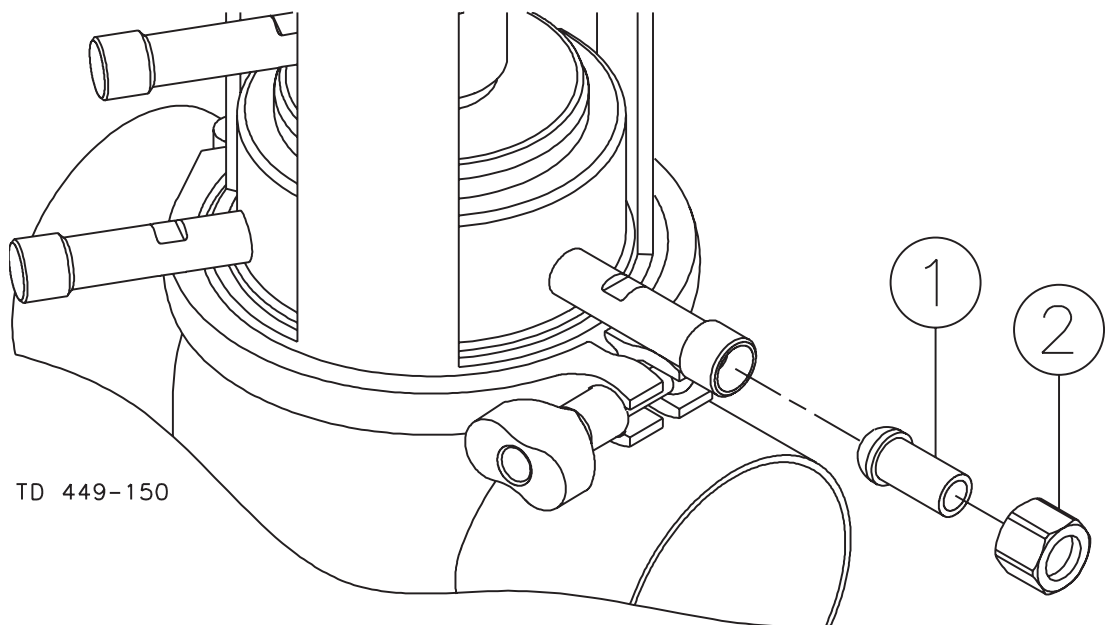
Plug set-up 16





Pos.	Qty.	Denomination	31357-0746-6
1	1	Hose PTFE w. s.s. weave.....	31357-0745-1
2	1	Welding socket	9611-99-0917

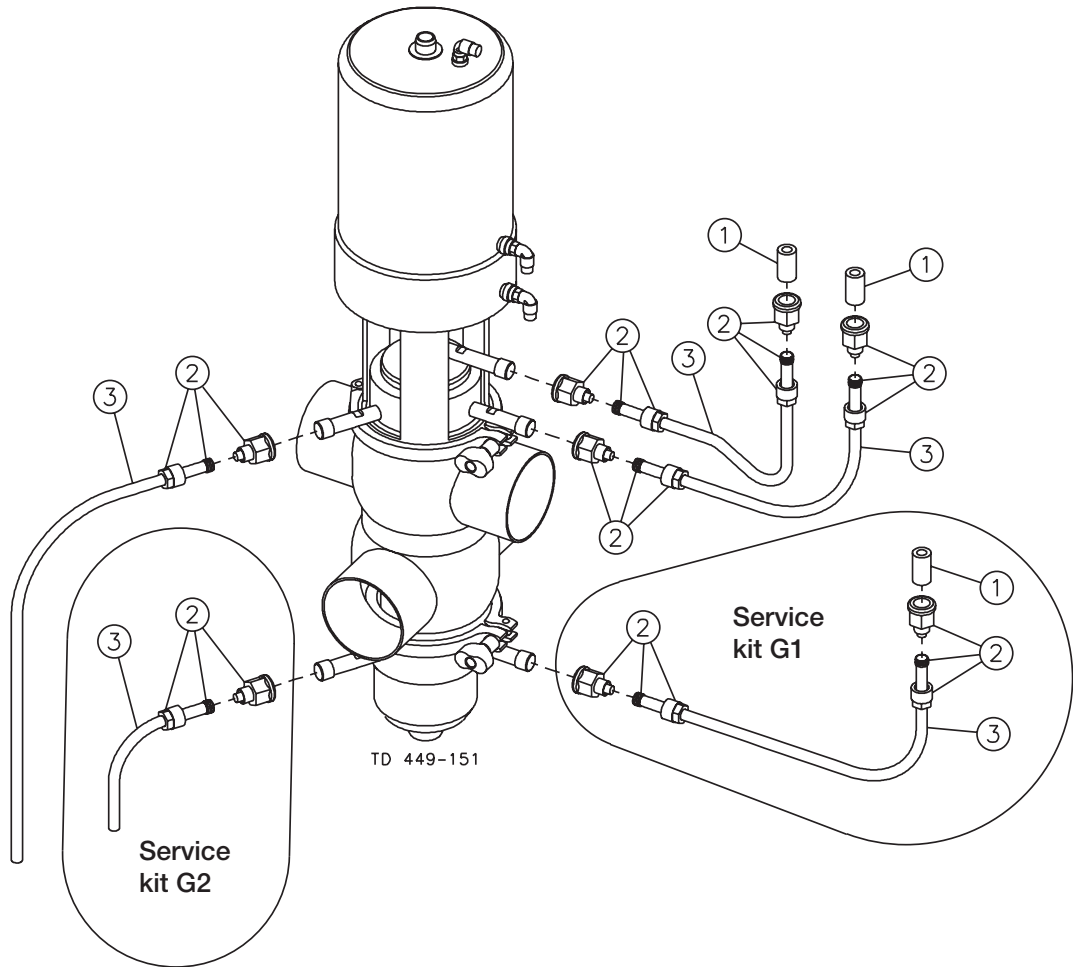
900-111/0





Pos.	Qty.	Denomination	31357-1005-3
1	1	Welding liner	31357-0743-1
2	1	Nut.....	31357-0744-1

900-112/0



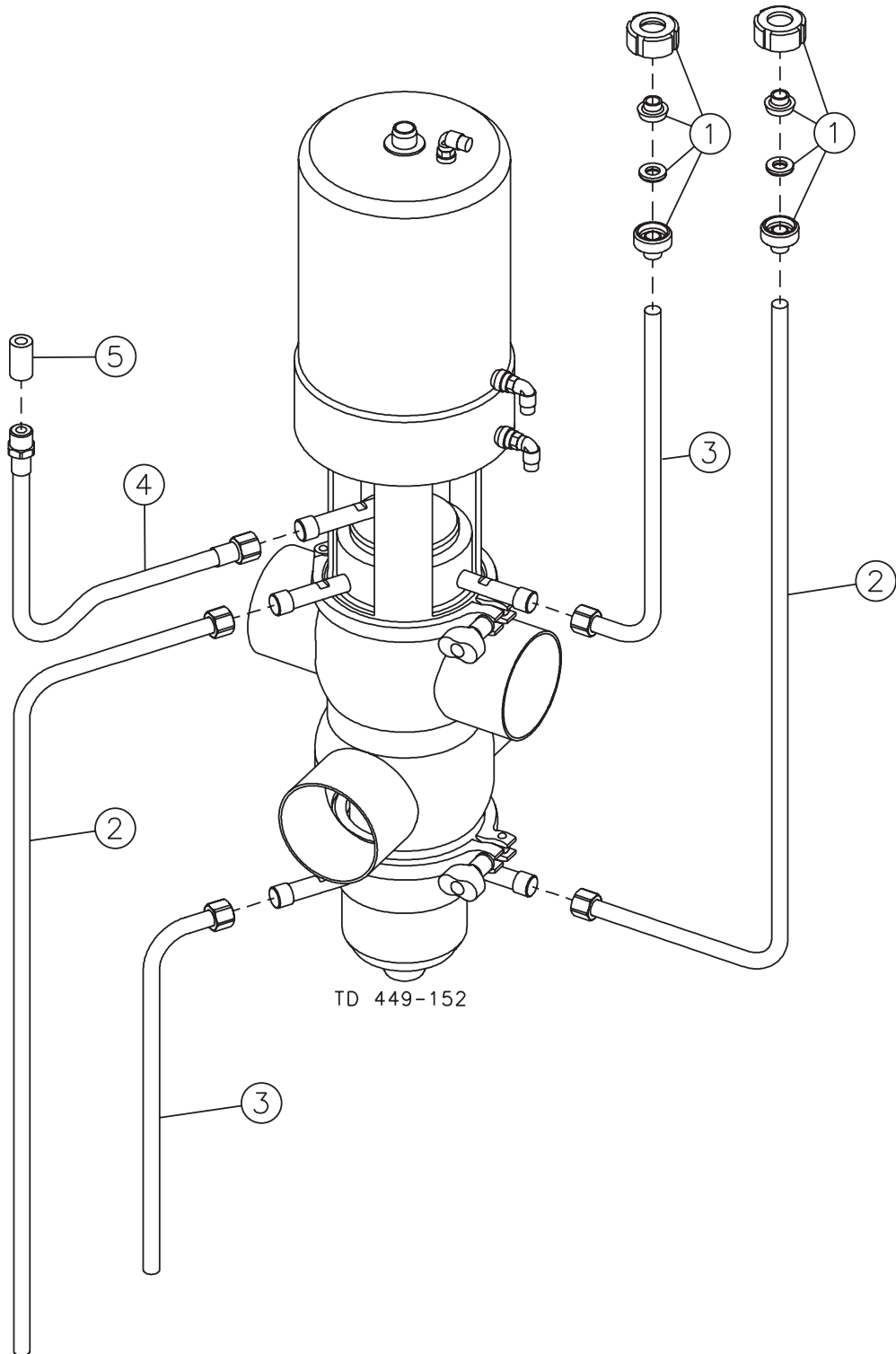
Installation kit G1

Pos.	Qty.	Denomination	9613-0557-01
1	1	Welding male part, AISI 316	31357-0747-1
2	2	3/8" 10 mm Female PVDF.....	9611-99-2372
3	1	10 mm PVDF hose, 1m.....	9611-99-2607

Installation kit G2

Pos.	Qty.	Denomination	9613-0557-02
2	1	3/8" 10 mm Female PVDF.....	9611-99-2372
3	1	10 mm PVDF hose, 1m.....	9611-99-2607

900-113/0



TD 449-152

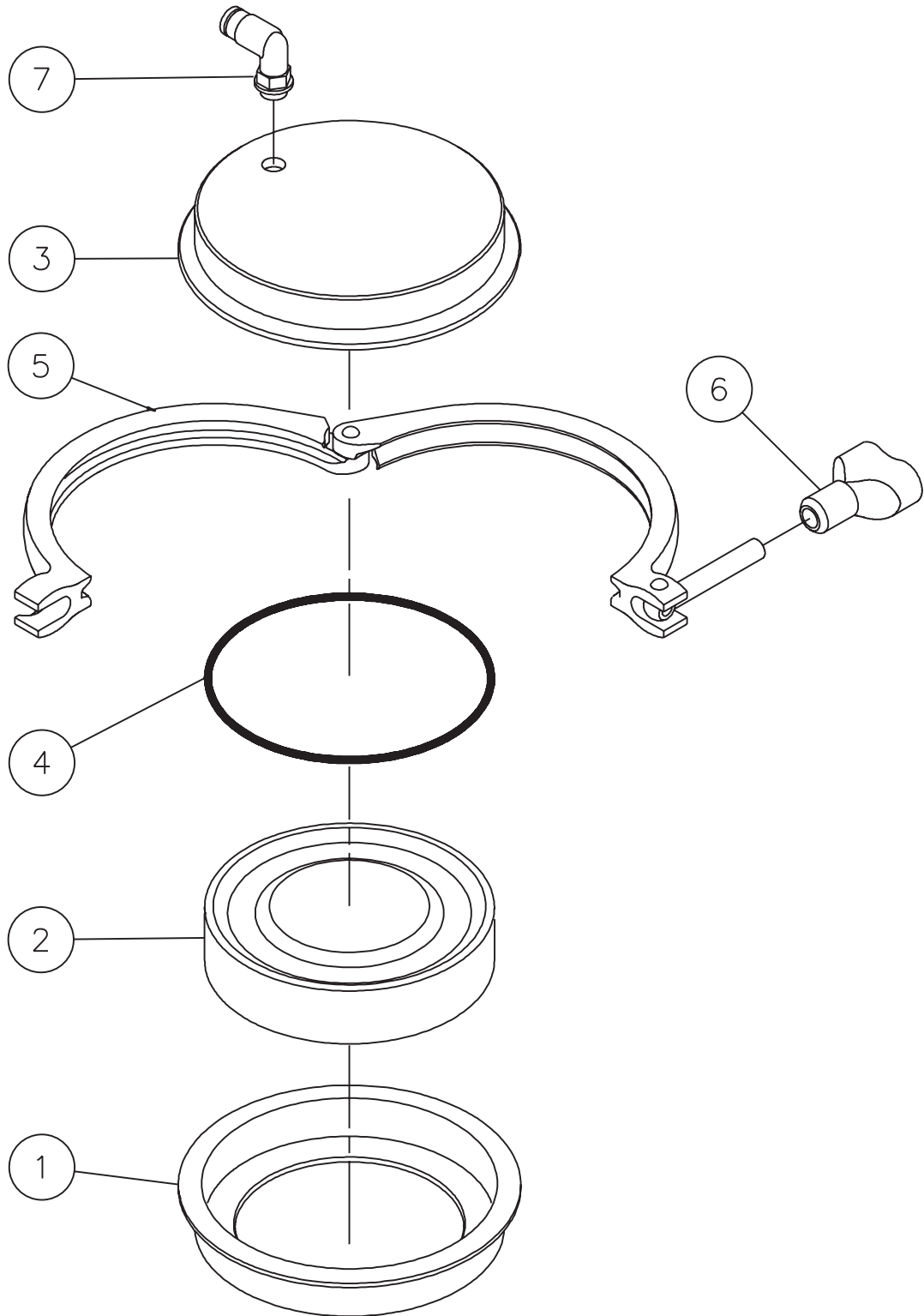
Installation kit H

Pos.	Qty.	Denomination	9613-0557-03
1	1	DIN union DN10.....	9611-30-579-1
	1	Nut, DN10.....	9611-30-642-0
	1	Welding liner DIN, DN10.....	9611-30-595-0
	1	Packing NBR, DN10	527346-01
	1	Male part DIN, DN10.....	9611-30-590-0
2	1	12 mm CIP pipe long	31357-1001-4
3	1	12 mm CIP pipe.....	31357-1001-3

Installation kit B

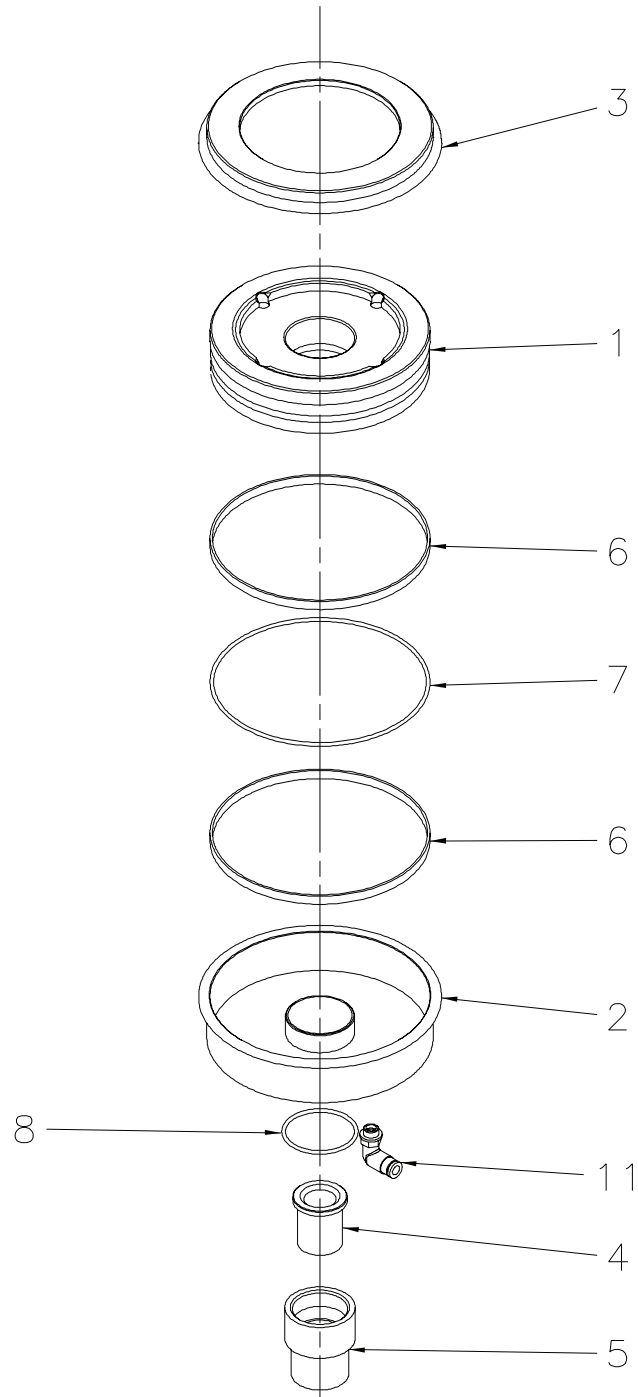
Pos.	Qty.	Denomination	31357-0746-6
4	1	Hose PTFE w. s.s. weave.....	31357-0745-1
5	1	Welding socket	9611-99-0917

900-114/0



TD 449-038

Pos.	Qty.	Denomination	Seat ø53.3	Seat ø81.3	Seat ø100.3	Seat ø115.3
			9613-0505-01	9613-0505-02	9613-0505-08	9613-0505-03
1	1	Lower Part				
2	1	Piston				
3	1	Upper Part				
4	1	O-ring, NBR.....	9611-99-3703	9611-99-3703	9611-99-3349	9611-99-3349
5	1	Clamp				
6	1	Wingnut				
7	1	Air fitting				



TD 449-354

Pos.	Qty.	Denomination	Seat ø53.3	Seat ø81.3	Seat ø100.3	Seat ø115.3
			9613-4260-01	9613-4260-02	9613-4260-03	9613-4260-04
1	1	Piston				
2	1	Lower Part				
3	1	Upper Part				
4	1	Bushing				
5	1	Guide				
6	2	Guide ring.....	9613-0084-22	9613-0084-22	9613-0084-22	9613-0084-22
7	1	O-ring, NBR.....	9611-99-3349	9611-99-3349	9611-99-3349	9611-99-3349
8	1	O-ring, NBR.....	9611-99-3705	9611-99-3705	9611-99-3705	9611-99-3705
9	1	Clamp				
10	1	Wingnut				
11	1	Air fitting				

How to contact Alfa Laval

Contact details for all countries are continually updated on our website. Please visit www.alfalaval.com to access the information direct.